

**Use and Disclosure of Data**  
Information contained herein is classified as EAR99 under the  
U.S. Export Administration Regulations.  
Export, reexport or diversion contrary to U.S. law is prohibited.

## OPERATING INSTRUCTIONS FOR

# Model 3000PB

## Percent Oxygen Analyzer



### DANGER



HIGHLY TOXIC AND OR FLAMMABLE LIQUIDS OR GASES MAY BE PRESENT IN THIS MONITORING SYSTEM.

PERSONAL PROTECTIVE EQUIPMENT MAY BE REQUIRED WHEN SERVICING THIS SYSTEM.

HAZARDOUS VOLTAGES EXIST ON CERTAIN COMPONENTS INTERNALLY WHICH MAY PERSIST FOR A TIME EVEN AFTER THE POWER IS TURNED OFF AND DISCONNECTED.

ONLY AUTHORIZED PERSONNEL SHOULD CONDUCT MAINTENANCE AND/OR SERVICING. BEFORE CONDUCTING ANY MAINTENANCE OR SERVICING CONSULT WITH AUTHORIZED SUPERVISOR/MANAGER.

P/N M66682  
04/23/2015



# DECLARATION OF CONFORMITY

---

**APPLICATION OF COUNCIL DIRECTIVE** : 89/336/EEC  
73/23/EEC

**STANDARDS TO WHICH CONFORMITY IS DECLARED** : EN55011 Class A Group I  
EN50082-2  
EN61010-1

**MANUFACTURER'S NAME** : TELEDYNE ANALYTICAL INSTRUMENTS

**MANUFACTURER'S ADDRESS** : 16830 Chestnut Street  
City of Industry, CA 91748-1020  
U.S.A.

**TYPE OF EQUIPMENT** : Oxygen Analyzer

**EQUIPMENT CLASS** : ISM Class A Group 1

**MODEL NUMBER** : 3000PB

---

**I, THE UNDERSIGNED, HEREBY DECLARE THAT THE EQUIPMENT SPECIFIED ABOVE CONFORMS TO THE ABOVE STANDARD(S) PER 89/336/EEC AND 73/23/EEC.**

**SIGNATURE:** 

**FULL NAME:** Angel Alegria

**POSITION:** New Products Manager

**DATE:** August 22, 2007

**PLACE:** City of Industry, California



### Copyright © 2015 Teledyne Analytical Instruments

All Rights Reserved. No part of this manual may be reproduced, transmitted, transcribed, stored in a retrieval system, or translated into any other language or computer language in whole or in part, in any form or by any means, whether it be electronic, mechanical, magnetic, optical, manual, or otherwise, without the prior written consent of Teledyne Analytical Instruments, 16830 Chestnut Street, City of Industry, CA 91748.

#### Warranty

This equipment is sold subject to the mutual agreement that it is warranted by us free from defects of material and of construction, and that our liability shall be limited to replacing or repairing at our factory (without charge, except for transportation), or at customer plant at our option, any material or construction in which defects become apparent within one year from the date of shipment, except in cases where quotations or acknowledgments provide for a shorter period. Components manufactured by others bear the warranty of their manufacturer. This warranty does not cover defects caused by wear, accident, misuse, neglect or repairs other than those performed by Teledyne or an authorized service center. We assume no liability for direct or indirect damages of any kind and the purchaser by the acceptance of the equipment will assume all liability for any damage which may result from its use or misuse.

We reserve the right to employ any suitable material in the manufacture of our apparatus, and to make any alterations in the dimensions, shape or weight of any parts, in so far as such alterations do not adversely affect our warranty.

#### Important Notice

This instrument provides measurement readings to its user, and serves as a tool by which valuable data can be gathered. The information provided by the instrument may assist the user in eliminating potential hazards caused by his process; however, it is essential that all personnel involved in the use of the instrument or its interface, with the process being measured, be properly trained in the process itself, as well as all instrumentation related to it.

The safety of personnel is ultimately the responsibility of those who control process conditions. While this instrument may be able to provide early warning of imminent danger, it has no control over process conditions, and it can be misused. In particular, any alarm or control systems installed must be tested and understood, both as to how they operate and as to how they can be defeated. Any safeguards required such as locks, labels, or redundancy, must be provided by the user or specifically requested of Teledyne at the time the order is placed.

Therefore, the purchaser must be aware of the hazardous process conditions. The purchaser is responsible for the training of personnel, for providing hazard warning methods and instrumentation per the appropriate standards, and for ensuring that hazard warning devices and instrumentation are maintained and operated properly.

Teledyne Analytical Instruments, the manufacturer of this instrument, cannot accept responsibility for conditions beyond its knowledge and control. No statement expressed or implied by this document or any information disseminated by the manufacturer or its agents, is to be construed as a warranty of adequate safety control under the user's process conditions.

---

**Table of Contents**

---

<b>1</b>	<b>Introduction</b>	
1.1	Overview .....	1-1
1.2	Typical Applications .....	1-1
1.3	Main Features of the Analyzer .....	1-1
1.4	Model Designations .....	1-2
1.5	Operator Interface .....	1-3
1.5.1	Displays .....	1-6
1.5.2	Function Keys .....	1-6
1.5.3	Data Entry Keys .....	1-6
1.5.4	I/O Power Button .....	1-7
1.5.5	Access Door .....	1-7
1.6	Recognizing Difference Between LCD & VFD .....	1-7
1.7	Equipment Interface .....	1-7
1.7.1	Electrical Connector Panel .....	1-7
1.7.2	Gas Connector Panel .....	1-9
<b>2</b>	<b>Operational Theory</b>	
2.1	Introduction .....	2-1
2.2	Micro-Fuel Cell Sensor .....	2-1
2.2.1	Principles of Operation .....	2-1
2.2.2	Anatomy of a Micro-Fuel Cell .....	2-2
2.2.3	Electrochemical Reactions .....	2-3
2.2.4	The Effect of Pressure .....	2-4
2.2.5	Calibration Characteristics .....	2-4
2.2.6	Micro-Fuel Cell “Class” .....	2-5
2.3	Sample System .....	2-6
2.4	Electronics and Signal Processing .....	2-7
<b>3</b>	<b>Installation</b>	
3.1	Unpacking the Analyzer .....	3-1
3.2	Mounting the Analyzer .....	3-1
3.3	Electrical Connections .....	3-3
3.3.1	Primary Input Power .....	3-4
3.3.2	Fuse Installation .....	3-4
3.3.3	Analog Outputs .....	3-4
3.3.4	Alarm Relays .....	3-6
3.3.5	Digital Remote Cal Inputs .....	3-7
3.3.6	Range ID Relays .....	3-9
3.3.7	Network I/O .....	3-9
3.3.8	RS-232 PoRT .....	3-9

3.3.9 Remote Sensor and Solenoid Valves .....	3-10
3.4 Installing the Micro-Fuel Cell .....	3-12
3.5 Gas Connections .....	3-12
3.6 Testing the System .....	3-14

## 4 Operation

4.1 Introduction .....	4-1
4.2 Using the Data Entry and Function Buttons .....	4-2
4.3 The <i>System</i> Function .....	4-3
4.3.1 Setting the Display .....	4-4
4.3.2 Setting up an Auto-Cal .....	4-5
4.3.3 Password Protection .....	4-5
4.3.3.1 Entering the Password .....	4-6
4.3.3.2 Installing or Changing the Password .....	4-7
4.3.4 Logout .....	4-8
4.3.5 System Self-Diagnostic Test .....	4-9
4.3.6 Version Screen .....	4-9
4.4 The <i>Span</i> Functions .....	4-10
4.4.1 Cell Failure .....	4-10
4.4.2 Span Cal .....	4-11
4.4.2.1 Auto Mode Spanning .....	4-11
4.4.2.2 Manual Mode Spanning .....	4-12
4.5 The <i>Alarms</i> Function .....	4-12
4.6 The <i>Range</i> Function .....	4-15
4.6.1 Setting the Analog Output Ranges .....	4-15
4.6.2 Autoranging Analysis .....	4-16
4.6.3 Fixed Range Analysis .....	4-16
4.7 The <i>Analyze</i> Function .....	4-17
4.8 Signal Output .....	4-17

## Maintenance

5.1 Routine Maintenance .....	5-1
5.2 Major Internal Components .....	5-1
5.3 Cell Replacement .....	5-2
5.3.1 Storing and Handling Replacement Cells .....	5-3
5.3.2 When to Replace a Cell .....	5-3
5.3.3 Removing the Micro-Fuel Cell .....	5-4
5.3.4 Installing a New Micro-Fuel Cell .....	5-6
5.3.5 Cell Warranty .....	5-6
5.4 Fuse Replacement .....	5-7
5.5 System Self Diagnostic Test .....	5-7
5.6 LCD Display .....	5-8

5.7 Troubleshooting..... 5-9

**Appendix**

A-1 Specifications ..... A-1  
A-2 Recommended 2-Year Spare Parts List ..... A-3  
A-3 Drawing List ..... A-4  
A-5 Applicatiopn Notes on Restrictors, Pressures & Flow .... A-5  
A-6 The Zero Functions ..... A-8





**This is a general purpose instrument designed for usage in a nonhazardous area. It is the customer's responsibility to ensure safety especially when combustible gases are being analyzed since the potential of gas leaks always exist.**

**The customer should ensure that the principles of operating of this equipment is well understood by the user. Misuse of this product in any manner, tampering with its components, or unauthorized substitution of any component may adversely affect the safety of this instrument.**

**Since the use of this instrument is beyond the control of Teledyne, no responsibility by Teledyne, its affiliates, and agents for damage or injury from misuse or neglect of this equipment is implied or assumed.**

## Introduction

---

### 1.1 Overview

The Teledyne Analytical Instruments Model 3000PB Percent Oxygen Analyzer is a versatile microprocessor-based instrument for detecting oxygen in a variety of gases. This manual covers the Model 3000PB, percent oxygen, general purpose, bulkhead-mount units only.

### 1.2 Typical Applications

A few typical applications of the Model 3000PB are:

- Monitoring inert gas blanketing
- Air separation and liquefaction
- Chemical reaction monitoring
- Semiconductor manufacturing
- Petrochemical process control
- Quality assurance
- Gas analysis certification.

### 1.3 Main Features of the Analyzer

The Model 3000PB Percent Oxygen Analyzer is sophisticated yet simple to use. The main features of the analyzer include:

- A 2-line alphanumeric display screen, driven by microprocessor electronics, that continuously prompts and informs the operator.
- High resolution, accurate readings of oxygen content from low % levels through 100%. Large, bright, meter readout.
- Advanced Micro-Fuel Cell for percent analysis. Standard cell has a six month warranty and an expected lifetime of eight months.

- Versatile analysis over a wide range of applications.
- Microprocessor based electronics: 8-bit CMOS microprocessor with 32 kB RAM and 128 kB ROM.
- Three user definable output ranges (from 0-1 % through 0-100 %) allow best match to users process and equipment.
- Air-calibration range for convenient spanning at 20.9 %.
- Auto Ranging allows analyzer to automatically select the proper preset range for a given measurement. Manual override allows the user to lock onto a specific range of interest.
- Two adjustable concentration alarms and a system failure alarm.
- Extensive self-diagnostic testing, at startup and on demand, with continuous power-supply monitoring.
- RS-232 serial digital port for use with a computer or other digital communication device.
- Analog outputs for concentration and range identification. (0-1 V dc standard, and isolated 4–20 mA dc optional.)

## 1.4 Model Designations

**3000PB:** Standard model.

**3000PB-C:** In addition to all standard features, this model also has separate ports for zero and span gases, and built-in control valves. The internal valves are entirely under the control of the 3000PB electronics, to automatically switch between gases in synchronization with the analyzer's operations

**3000PB-S:** Stainless steel cell block and sampling system.

**3000PB-M:** 4-20 mA dc Signal and Range ID outputs, in addition to the standard voltage outputs.

All of the above options are available in combination. For example, the -C and -V options are combined as Model 3000PB-C-V.

## 1.5 Operator Interface

Figure 1-1 is an illustration of the front of the Model 3000PB Oxygen Analyzer with the outer door open showing the control panel (which is also the inner door).

All displays on the standard 3000PB are visible from outside the housing. The instrument has a digital meter and an alphanumeric display, which are viewed through a glass viewing window in the outer door of the main housing, and a sample flowmeter on the gas control panel attached to the main housing. They give the operator constant feedback from the instrument.

The operator controls are pushbutton membrane switches located behind the outer door of the housing. All of them are reached by unlatching and swinging open the outer door of the enclosure. They are described briefly here and in greater detail in chapter 4, *Operation*.

Figure 1-2 shows the 3000PB with the outer door and inner door both open. The inner door is opened for access to the electrical connections and to the cell block which houses the Micro-Fuel Cell. Door-mounted components are shown in chapter 5, *Maintenance*.

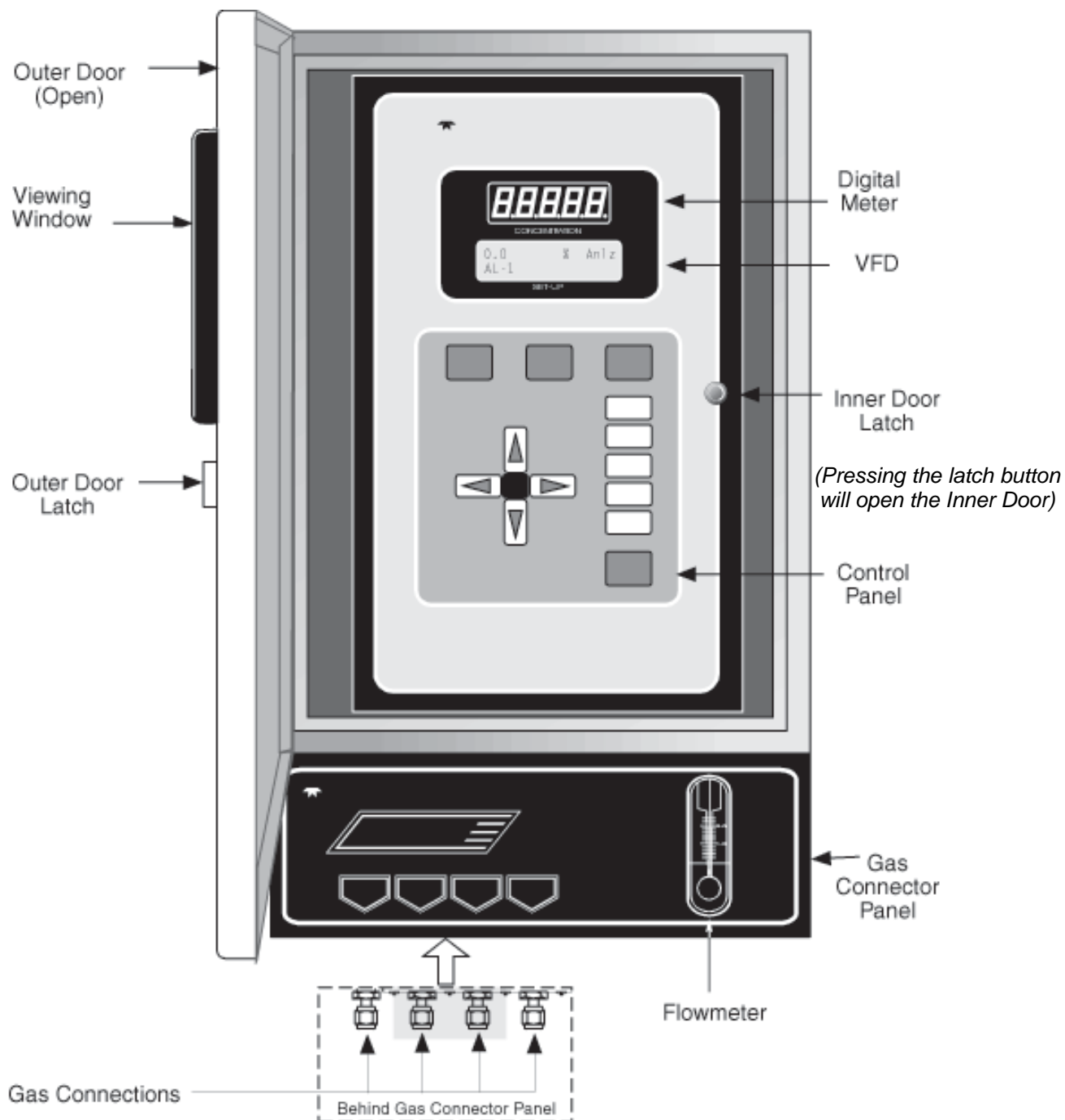


Figure 1-1: Model 3000PB—Outer Door Open—Showing Control Panel

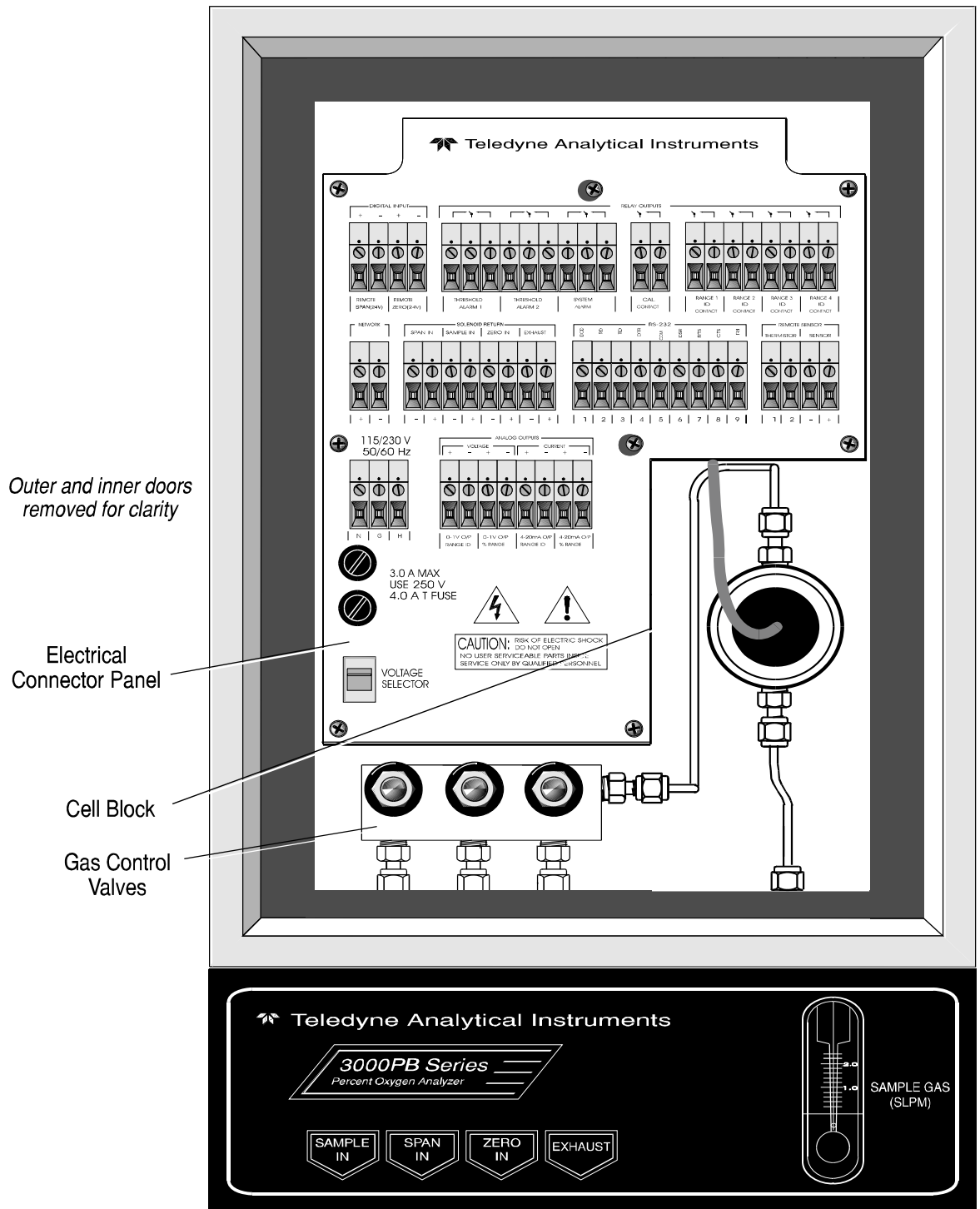


Figure 1-2: Model 3000PB—Inner Door Open—Showing Internal Components

### 1.5.1 Displays

**Digital Meter Display:** The meter display is a LED device that produces large, bright, 7-segment numbers that are legible in any lighting environment. It produces a continuous readout from 0-100 %. It is accurate across all ranges without the discontinuity of analog range switching.

**Alphanumeric Interface Screen:** The VFD screen is an easy-to-use interface from operator to analyzer. It displays values, options, and messages that give the operator immediate feedback.

**Flowmeter:** Monitors the flow of gas past the sensor. Readout is 0.2 to 2.4 standard liters per minute (SLPM).

### 1.5.2 Function Keys

Six touch-sensitive membrane switches are used to change the specific function performed by the analyzer:

- **Analyze** Perform analysis for oxygen content of a sample gas.
- **System** Perform system-related tasks (described in detail in chapter 4, *Operation*).
- **Span** Span calibrate the analyzer.
- **Zero** Zero calibrate the analyzer.
- **Alarms** Set the alarm setpoints and attributes.
- **Range** Set up the 3 user definable ranges for the instrument.

### 1.5.3 Data Entry Keys

Six touch-sensitive membrane switches are used to input data and commands to the instrument via the alphanumeric VFD display:

- **Left & Right Arrows** Select between functions currently displayed on the VFD screen.
- **Up & Down Arrows** Increment or decrement values of functions currently displayed.
- **Enter** Moves VFD display on to the next screen in a series. If none remains, returns to the *Analyze* screen.
- **Escape** Moves VFD display back to the previous screen in a series. If none remains, returns to the *Analyze* screen.

### 1.5.4 I/O Power Button

The red I/O button switches the instrument power between I (ON) and O (a Keep-Alive state). In the O state, the instrument's circuitry is operating, but there are no displays or outputs.

**CAUTION:** *The power cable must be unplugged to fully disconnect power from the instrument. When chassis is exposed or when inner door is open and power cable is connected, use extra care to avoid contact with live electrical circuits.*



### 1.5.5 Access Door

To access the electrical connector panel, or the cell block, the control panel doubles as a door that can be unlatched and swung open (after unlatching and swinging open the outer access door). See Figure 1-2.

## 1.6 Recognizing Difference Between LCD & VFD

LCD has *GREEN* background with *BLACK* characters. VFD has *DARK* background with *GREEN* characters. In the case of VFD - *NO CONTRAST ADJUSTMENT IS NEEDED*.

## 1.7 Equipment Interface

### 1.7.1 Electrical Connector Panel

The electrical connector panel, shown in Figure 1-3, contains the electrical connections for external inputs and outputs. The connectors are described briefly here and in detail in the *Installation* chapter of this manual.

**CAUTION:** *The power cable must be disconnected to fully remove power from the instrument.*



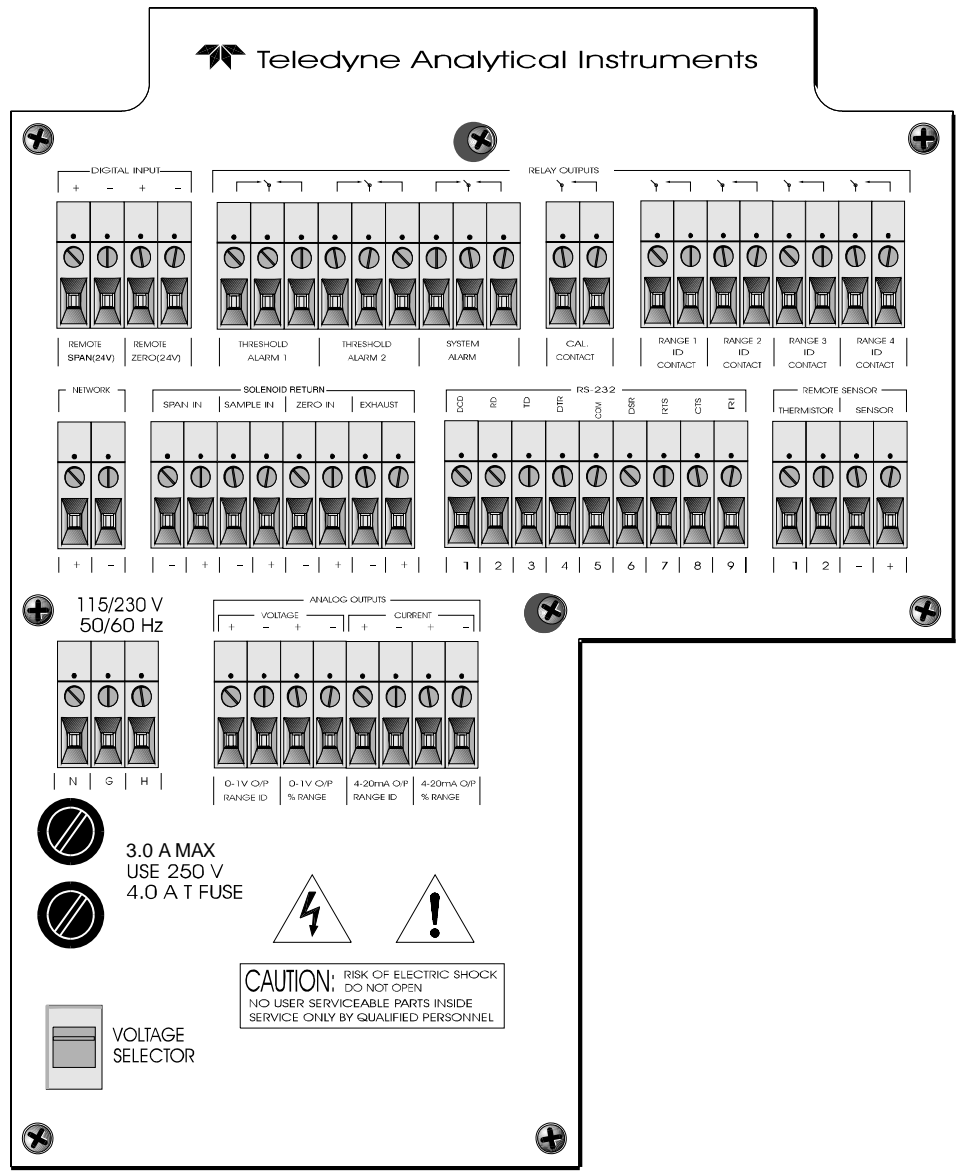


Figure 1-3: Electrical Connector Panel

**Electrical Connections:** The electrical connections on the electrical connector panel are described briefly here, and in more detail in chapter 3 *Installation*.

- **Power Connection** 115 or 230 V ac, 50 or 60 Hz.
- **Analog Outputs** 0-1 V dc concentration plus 0-1 V dc range ID, and isolated 4-20 mA dc plus 4-20 mA dc range ID.
- **Alarm Connections** 2 concentration alarms and 1 system alarm.

- **RS-232 Port** Serial digital concentration signal output and control input.
- **Remote Valves** Used for controlling external solenoid valves, if desired.
- **Remote Sensor** Used for external sensor and thermistor
- **Remote Span/Zero** Digital inputs allow external control of analyzer calibration.
- **Calibration Contact** To notify external equipment that instrument is being calibrated and readings are not monitoring sample.
- **Range ID Contacts** Four separate, dedicated, range relay contacts. Low, Medium, High, Cal.
- **Network I/O** Serial digital communications for local network access. For future expansion. Not implemented at this printing.

### 1.7.2 Gas Connector Panel

The gas connector panel, shown in Figure 1-4, contains the gas connections for external inlets and outlets. Those that are optional are shown shaded in the figure. The connectors are described briefly here and in detail in the *Installation* chapter of this manual.

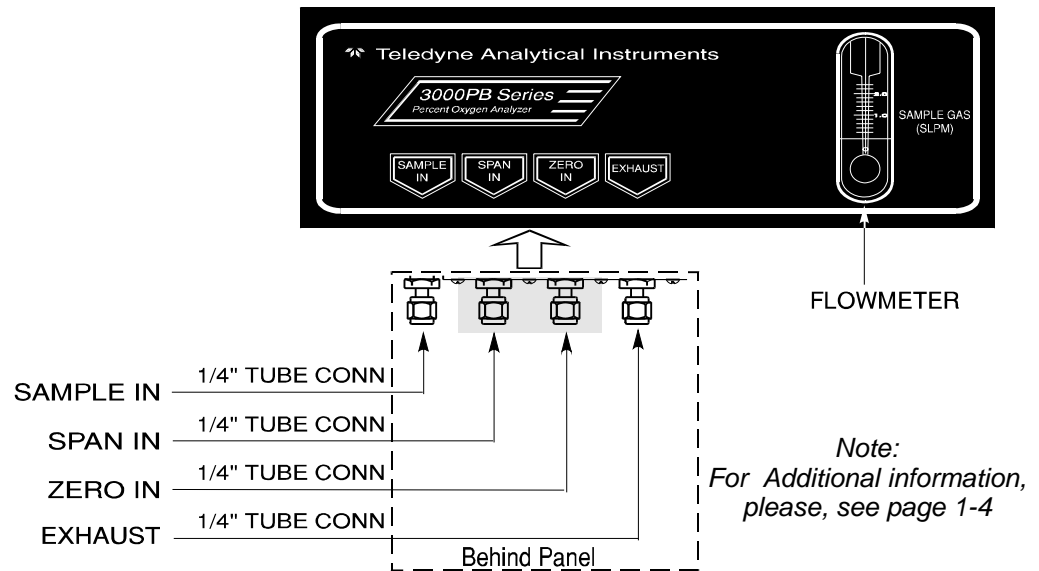


Figure 1-4: Model 3000PB Gas Connector Panel

- **Gas Inlet and Outlet** One inlet (must be externally valved) and one exhaust out.

**Optional:**

- **Calibration Gas Ports** Separate fittings for zero, span and sample gas input, plus internal valves for automatically switching the gases in sync with the 3000PB electronics.

**Note:** If you require highly accurate Auto-Cal timing, use external Auto-Cal control where possible. The internal clock in the Model 3000PB is accurate to 2-3 %. Accordingly, internally scheduled calibrations can vary 2-3 % per day.

## **Operational Theory**

---

### **2.1 Introduction**

The analyzer is composed of three subsystems:

1. Micro-Fuel Cell Sensor
2. Sample System
3. Electronic Signal Processing, Display and Control

The sample system is designed to accept the sample gas and transport it through the analyzer without contaminating or altering the sample prior to analysis. The Micro-Fuel Cell is an electrochemical galvanic device that translates the amount of oxygen present in the sample into an electrical current. The electronic signal processing, display and control subsystem simplifies operation of the analyzer and accurately processes the sampled data. The microprocessor controls all signal processing, input/output and display functions for the analyzer.

### **2.2 Micro-Fuel Cell Sensor**

#### **2.2.1 Principles of Operation**

The oxygen sensor used in the Model 3000PB series is a Micro-Fuel Cell designed and manufactured by Analytical Instruments. It is a sealed plastic disposable electrochemical transducer.

The active components of the Micro-Fuel Cell are a cathode, an anode, and the 15% aqueous KOH electrolyte in which they are immersed. The cell converts the energy from a chemical reaction into an electrical current in an external electrical circuit. Its action is similar to that of a battery.

There is, however, an important difference in the operation of a battery as compared to the Micro-Fuel Cell: In the battery, all reactants are stored within the cell, whereas in the Micro-Fuel Cell, one of the reactants (oxygen) comes from outside the device as a constituent of the sample gas being

analyzed. The Micro-Fuel Cell is therefore a hybrid between a battery and a true fuel cell. (All of the reactants are stored externally in a true fuel cell.)

### 2.2.2 Anatomy of a Micro-Fuel Cell

The Micro-Fuel Cell is a cylinder only 1¼ inches in diameter and 1 inch thick. It is made of extremely inert plastic, which can be placed confidently in practically any environment or sample stream. It is effectively sealed, although one end is permeable to oxygen in the sample gas. The other end of the cell is a contact plate consisting of two concentric foil rings. The rings mate with spring-loaded contacts in the sensor block assembly and provide the electrical connection to the rest of the analyzer. Figure 2-1 illustrates the external features.

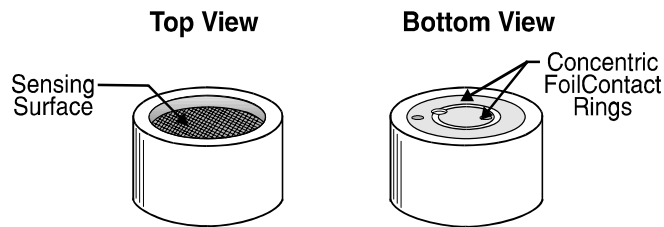


Figure 2-1: Micro-Fuel Cell

Refer to Figure 2-2, *Cross Section of a Micro-Fuel Cell*, which illustrates the following internal description.

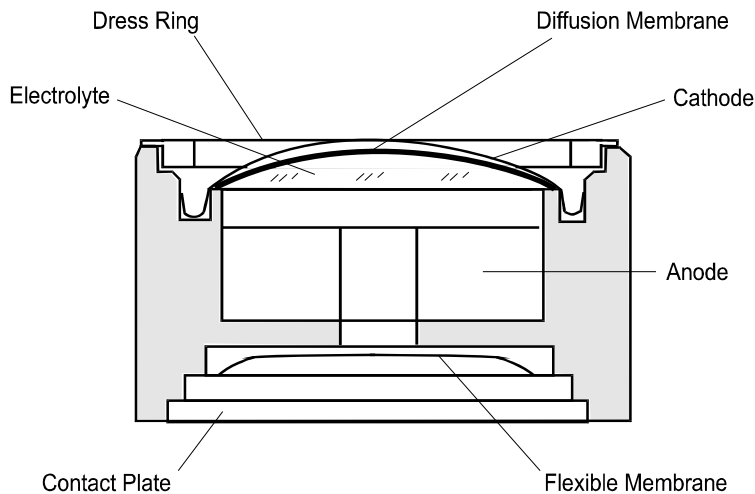


Figure 2-2. Cross Section of a Micro-Fuel Cell (not to scale)

At the top end of the cell is a diffusion membrane of Teflon, whose thickness is very accurately controlled. Beneath the diffusion membrane lies

the oxygen sensing element—the cathode—with a surface area almost 4 cm<sup>2</sup>. The cathode has many perforations to ensure sufficient wetting of the upper surface with electrolyte, and it is plated with an inert metal.

The anode structure is below the cathode. It is made of lead and has a proprietary design which is meant to maximize the amount of metal available for chemical reaction.

At the rear of the cell, just below the anode structure, is a flexible membrane designed to accommodate the internal volume changes that occur throughout the life of the cell. This flexibility assures that the sensing membrane remains in its proper position, keeping the electrical output constant.

The entire space between the diffusion membrane, above the cathode, and the flexible rear membrane, beneath the anode, is filled with electrolyte. Cathode and anode are submerged in this common pool. They each have a conductor connecting them to one of the external contact rings on the contact plate, which is on the bottom of the cell.

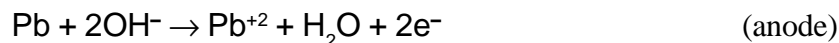
### 2.2.3 Electrochemical Reactions

The sample gas diffuses through the Teflon membrane. Any oxygen in the sample gas is reduced on the surface of the cathode by the following HALF REACTION:



(Four electrons combine with one oxygen molecule—in the presence of water from the electrolyte—to produce four hydroxyl ions.)

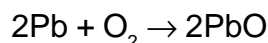
When the oxygen is reduced at the cathode, lead is simultaneously oxidized at the anode by the following HALF REACTION:



(Two electrons are transferred for each atom of lead that is oxidized. Therefore it takes two of the above anode reactions to balance one cathode reaction and transfer four electrons.)

The electrons released at the surface of the anode flow to the cathode surface when an external electrical path is provided. The current is proportional to the amount of oxygen reaching the cathode. It is measured and used to determine the oxygen concentration in the gas mixture.

The overall reaction for the fuel cell is the SUM of the half reactions above, or:



(These reactions will hold as long as no gaseous components capable of oxidizing lead—such as iodine, bromine, chlorine and fluorine—are present in the sample.)

The output of the fuel cell is limited by (1) the amount of oxygen in the cell at the time and (2) the amount of stored anode material.

In the absence of oxygen, no current is generated.

### 2.2.4 The Effect of Pressure

In order to state the amount of oxygen present in the sample as a percentage of the gas mixture, it is necessary that the sample diffuse into the cell under constant pressure.

If the total pressure increases, the rate that oxygen reaches the cathode through the diffusing membrane will also increase. The electron transfer, and therefore the external current, will increase, even though the oxygen concentration of the sample has not changed. It is therefore important that the sample pressure at the fuel cell (usually vent pressure) remain constant between calibrations.

### 2.2.5 Calibration Characteristics

Given that the total pressure of the sample gas at the surface of the Micro-Fuel Cell input is constant, a convenient characteristic of the cell is that the current produced in an external circuit is directly proportional to the rate at which oxygen molecules reach the cathode, and this rate is directly proportional to the concentration of oxygen in the gaseous mixture. In other words it has a linear characteristic curve, as shown in Figure 2-3. Measuring circuits do not have to compensate for nonlinearities.

In addition, since there is zero output in the absence oxygen, the characteristic curve has close to an absolute zero. In the percent ranges, the cell itself does not need to be zeroed. In practical application zeroing is still used to compensate for zero offsets in the electronics. (The electronics is zeroed automatically when the instrument power is turned on.)

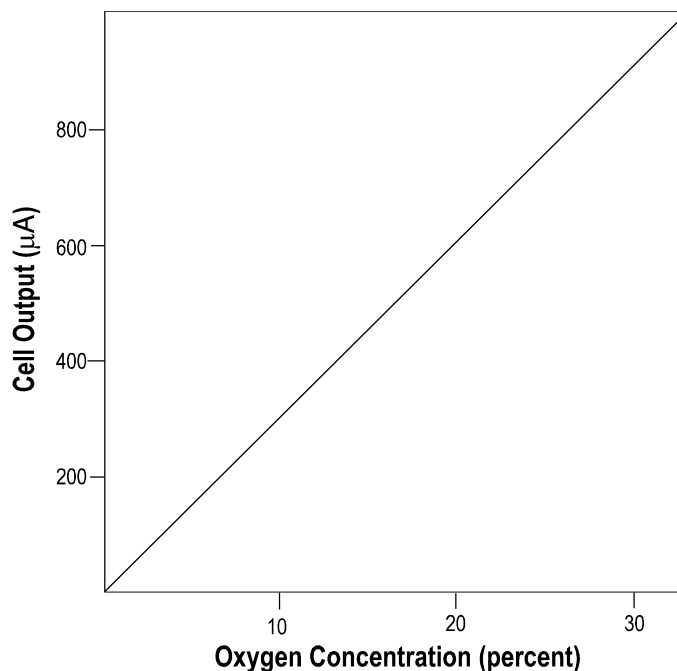


Figure 2-3. Characteristic Input/Output Curve for a Micro-Fuel Cell

### 2.2.6 Micro-Fuel Cell “Class”

TBE manufactures Micro-Fuel Cells with a variety of characteristics to give the best possible performance for any given sample conditions. A few typical Micro-Fuel Cells are listed below with their typical use and electrical specifications.

#### 2.2.6.1 Class A-3 Cell

The class A-3 cell is for use in applications where it is exposed continuously to carbon dioxide concentrations between 1 % and 100 % in the sample gas.

Nominal output in air is 0.20 mA, and 90 % response time is 45 s. Expected life in flue gas is 8 months.

#### 2.2.6.2 Class A-5 Cell

The class A-5 cell is for use in applications where it is exposed intermittently to carbon dioxide concentrations up to 100 % in the sample gas.



Nominal output in air is 0.19 mA, and 90 % response time is 45 s.  
Expected life in flue gas is 8 months.

#### **2.2.6.3 Class B-1 Cell**

The class B-1 cell is for use in applications where it is exposed to less than 0.1 % of carbon dioxide, and where fast response is important.

Nominal output in air is 0.50 mA, and 90 % response time is 7 s.  
Expected life in air is 8 months.

#### **2.2.6.4 Class B-3 Cell**

The class B-3 cell is for use in applications where a slightly longer response time is acceptable in order to have a longer cell life.

Nominal output in air is 0.30 mA, and 90 % response time is 13 s.  
Expected life in air is 12 months.

#### **2.2.6.5 Class C-3 Cell**

The class B-1 cell is for use in applications where it is exposed to less than 0.1 % of carbon dioxide, and where a longer response time is acceptable in order to have a longer cell life.

Nominal output in air is 0.20 mA, and 90 % response time is 30 s.  
Expected life in air is 18 months.

#### **2.2.6.6 Hydrogen and/or Helium Service**

If the sample gas contains 10 % or more hydrogen and/or helium, “clamp” cells are used. These Micro-Fuel cells are identified by the suffix -C added to the cell class number.

### **2.3 Sample System**

The sample system delivers gases to the Micro-Fuel Cell sensor from the analyzer rear panel inlet. Depending on the mode of operation either sample or calibration gas is delivered.

The Model 3000PB sample system is designed and fabricated to ensure that the oxygen concentration of the gas is not altered as it travels through the sample system. The sample encounters almost no dead space. This mini-

mizes residual gas pockets that can interfere with very low level oxygen analysis.

The sample system for the standard instrument incorporates ¼ inch tube fittings for sample inlet and outlet connections at the rear panel. For metric system installations, 6 mm adapters are supplied with each instrument. The sample or calibration gas flow through the system is monitored by a flowmeter downstream from the cell.

Figure 2-4 is the flow diagram for the sampling system. In the standard instrument, calibration gases (zero and span) can be connected directly to the Sample In port by teeing to the port with appropriate valves. The shaded portion of the diagram shows the components added when the -C option is ordered. The valves, when supplied, are installed inside the NEMA enclosure and are regulated by the instrument's internal electronics.

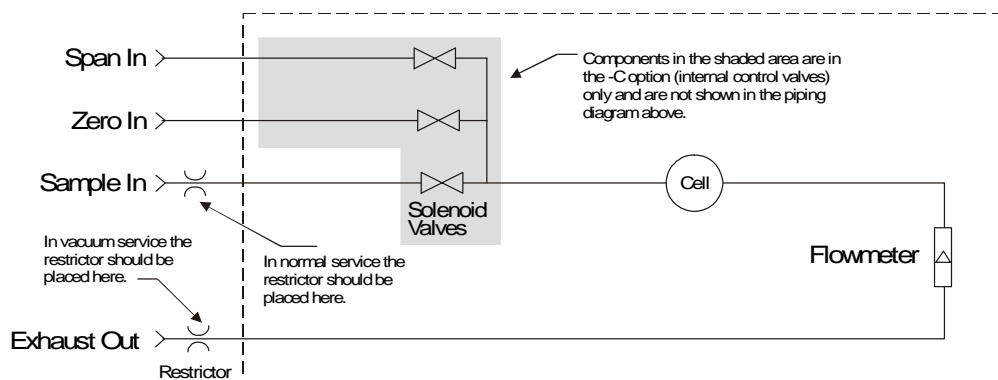


Figure 2-4: Flow Diagram

## 2.4 Electronics and Signal Processing

The signal processing and display electronics PCBs are mounted on the back of the inner door. See *Major Internal Components* in chapter 5, for illustration. The power supply module is mounted underneath the bottom end of the Electrical Connector Panel.

The Model 3000PB Percent Oxygen Analyzer uses an 8031 microcontroller with 32 kB of RAM and 128 kB of ROM to control all signal processing, input/output, and display functions for the analyzer. System power is supplied from a universal power supply module designed to be compatible with most international power sources. CE approved units for the European market also contain an EMI filter. Figure 2-5 is a simplified block diagram of the Analyzer electronics.

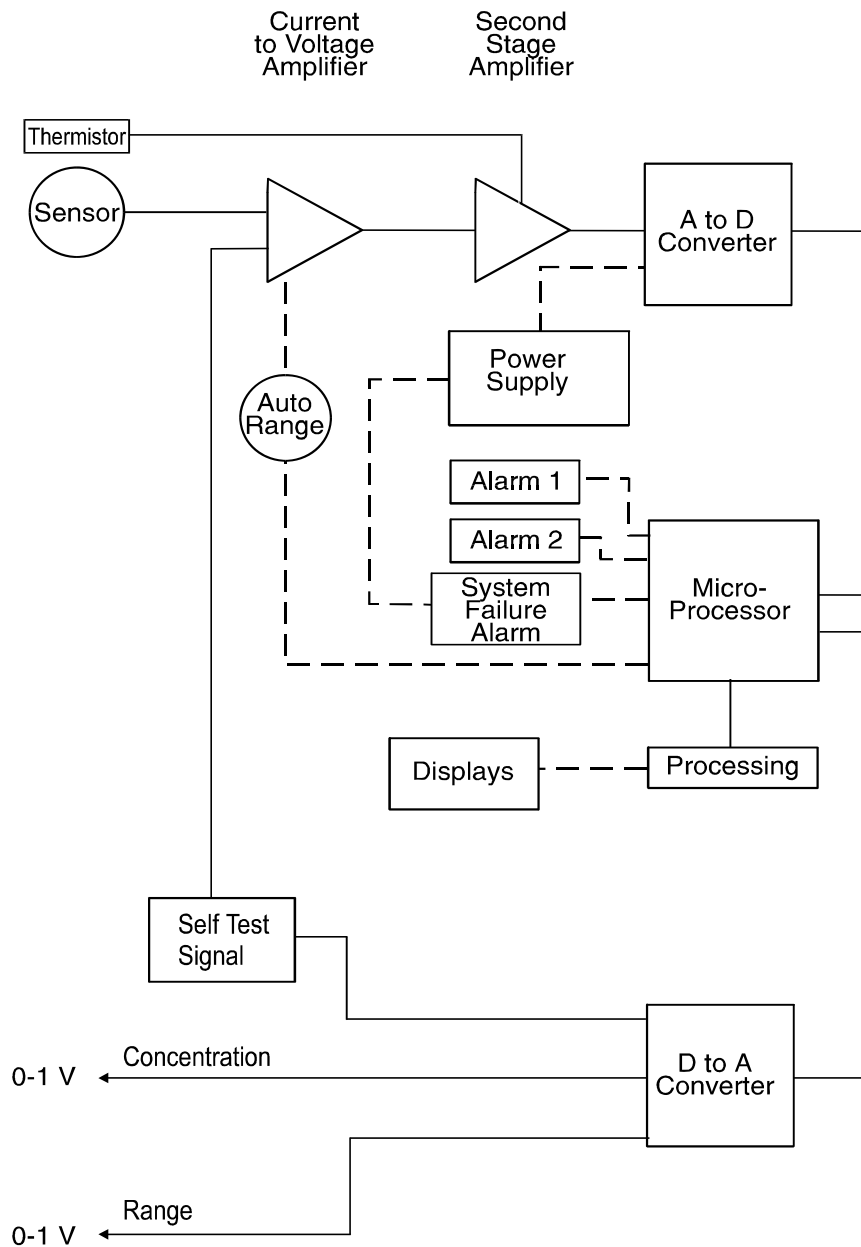


Figure 2-5: Block Diagram of the Model 3000PB Electronics

In the presence of oxygen the cell generates a current. A current to voltage amplifier converts this current to a voltage, and then the voltage is amplified in the second stage amplifier.

The second stage amplifier also supplies temperature compensation for the oxygen sensor output. This amplifier circuit incorporates a thermistor, which is physically located in the cell block. The thermistor is a temperature

dependent resistance that changes the gain of the amplifier in proportion to the temperature changes in the block. This change is inversely proportional to the change in the cell output due to the same temperature changes. The result is a signal that is temperature independent. The output from the second stage amplifier is sent to an 18 bit analog to digital converter controlled by the microprocessor.

The digital concentration signal along with input from the control panel is processed by the microprocessor, and appropriate control signals are directed to the display, alarms and communications port. The same digital information is also sent to a 12 bit digital to analog converter that produces the 0-1 V dc analog percent-of-range signal output and the analog range ID output. Models with the -M option also have a 4-20 mA dc percent-of-range signal output and analog range ID output.

Signals from the power supply are also monitored by the microprocessor, and the system failure alarm is activated if a malfunction is detected.



---

## **Installation**

---

Installation of the Model 3000PB Analyzer includes:

1. Unpacking
2. Mounting
3. Gas connections
4. Electrical connections
5. Installing the Micro-Fuel Cell
6. Testing the system.

### **3.1 Unpacking the Analyzer**

The analyzer is shipped with all the materials you need to install and prepare the system for operation. Carefully unpack the analyzer and inspect it for damage. Immediately report any damage to the shipping agent.

### **3.2 Mounting the Analyzer**

The Model 3000PB is designed for bulkhead mounting in nonhazardous environments. There are four mounting lugs—one in each corner of the enclosure. The outline drawing, at the back of this manual, gives the mounting hole size and spacing. The drawing also contains the overall dimensions. Do not forget to allow an extra 1<sup>3</sup>/<sub>8</sub>" for the hinges.

Be sure to allow enough space in front of the enclosure to swing the outer door open—a 11 <sup>3</sup>/<sub>4</sub>" radius, as shown in Figure 3-2.

All electrical connections are made via cables which enter the NEMA-4 housing through ports in its side. No conduit fittings are supplied. The installer must provide two 3/4" NPT and two 1" NPT adapters and the appropriate sealing conduit.

For gas connections, the unit is supplied with 1/4" tube fittings, and 6 millimeter adapters are supplied for metric system installations.

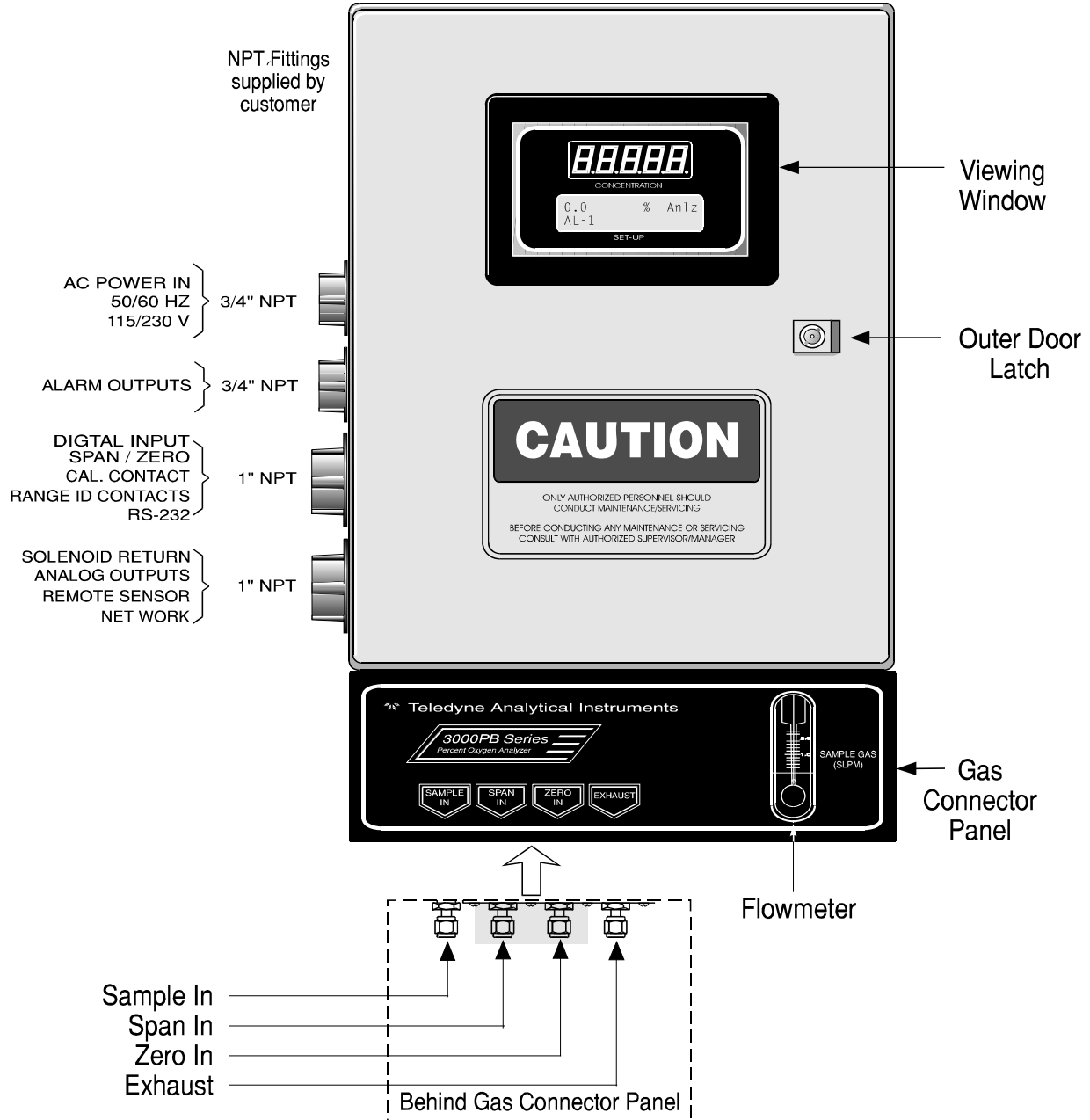


Figure 3-1: Front View of the Model 3000PB (Simplified)

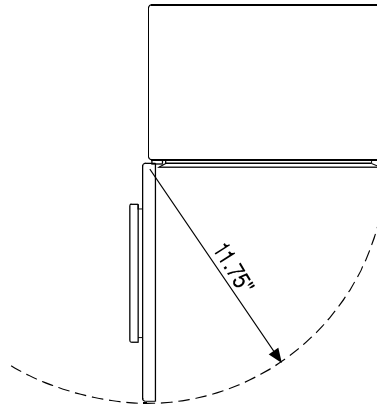
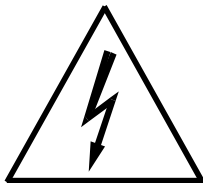


Figure 3-2: Required Front Door Clearance



### 3.3 Electrical Connections

Figure 3-3 shows the Model 3000PB Electrical Connector Panel. There are terminal blocks for connecting power, communications, and both digital and analog concentration outputs.

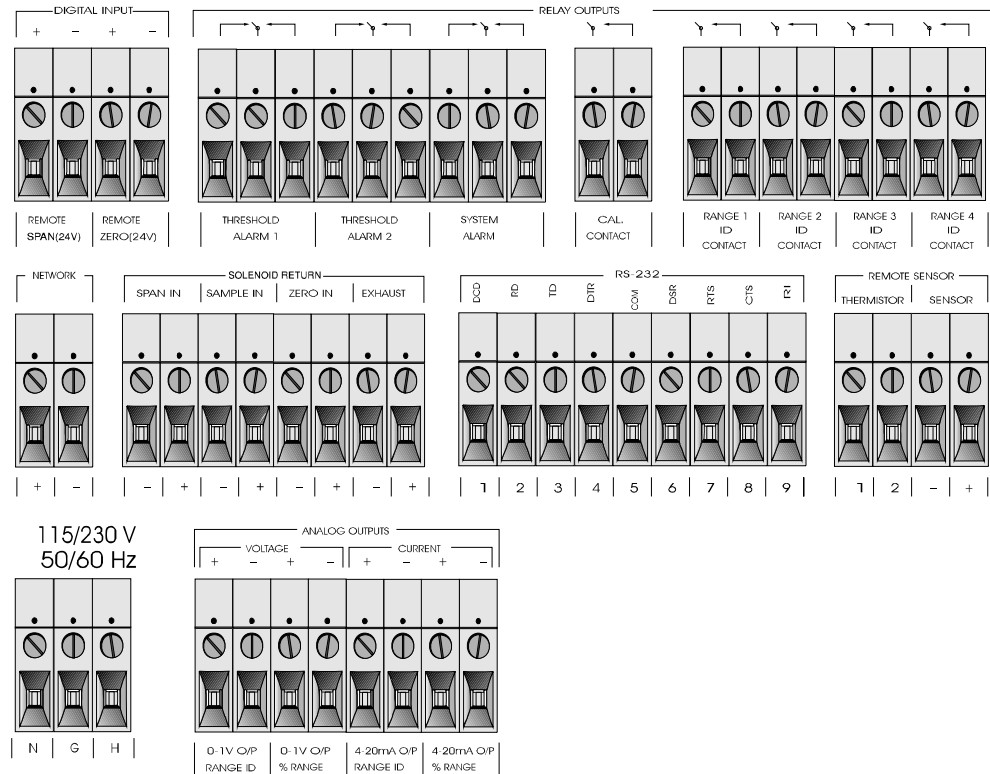


Figure 3-3: Electrical Connector Panel



For safe connections, ensure that no uninsulated wire extends outside of the connectors they are attached to. Stripped wire ends must insert completely into terminal blocks. No uninsulated wiring should be able to come in contact with fingers, tools or clothing during normal operation. Terminal block can accept wire gauge 20 to 10.

### 3.3.1 Primary Input Power

The universal power supply requires a 115 or 230 V ac, 50 or 60 Hz, power source. The actual input voltage used must show in the window of the VOLTAGE SELECTOR switch **before** the power source is connected. See Figure 3-4 for detailed connections.

**DANGER:** *Power is applied to the instrument's circuitry as long as the instrument is connected to the power source. The Standby function switches power on or off to the displays and outputs only.*

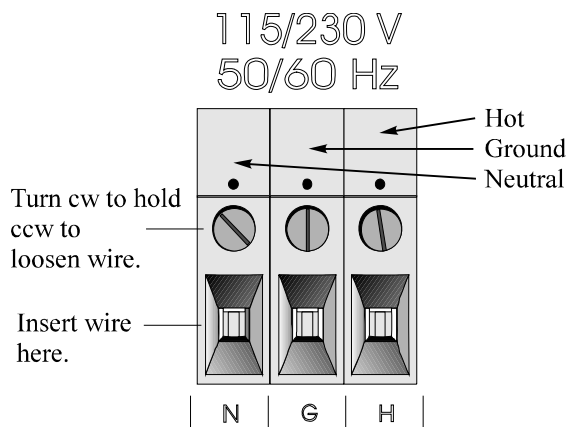


Figure 3-4: Primary Input Power Connections

### 3.3.2 Fuse Installation

The fuse holders accept 5 x 20 mm, 4.0 A, T type (slow blow) fuses. Fuses are not installed at the factory. Be sure to install the proper fuse as part of installation. (See *Fuse Replacement* in chapter 5, *maintenance*.)

### 3.3.3 Analog Outputs

There are eight DC output signal connectors on the ANALOG OUTPUTS connector block. There are two connectors per output with the polarity noted. See Figure 3-5.

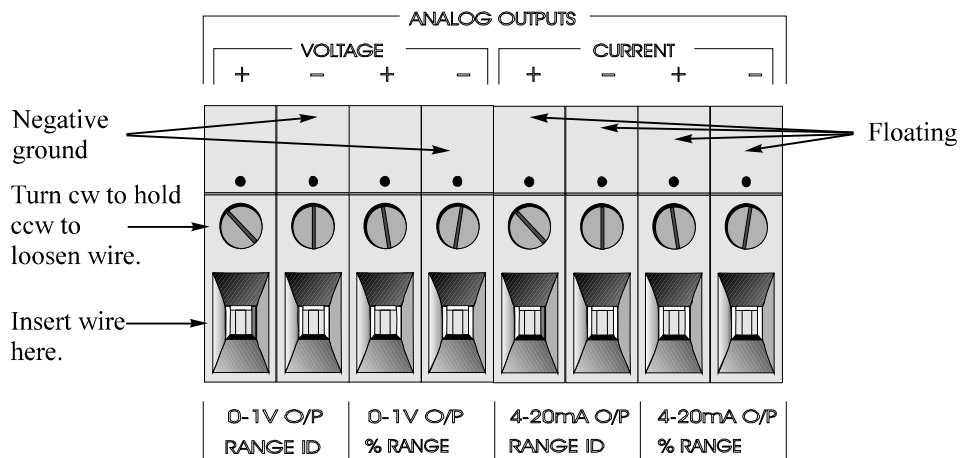


Figure 3-5: Analog Output Connections

The outputs are:

- 0–1 V dc % of Range: Voltage rises linearly with increasing oxygen, from 0 V at 0 % to 1 V at 100 %. (Full scale = 100% of programmable range.)
- 0–1 V dc Range ID: 0.25 V = Low Range, 0.5 V = Medium Range, 0.75 V = High Range, 1 V = Air Cal Range.
- 4–20 mA dc % Range: (-M Option) Current increases linearly with increasing oxygen, from 4 mA at 0 % to 20 mA at full scale 100 %. (Full scale = 100% of programmable range.)
- 4–20 mA dc Range ID: (-M Option) 8 mA = Low Range, 12 mA = Medium Range, 16 mA = High Range, 20 mA = Air Cal Range.

### Examples:

The analog output signal has a voltage which depends on the oxygen concentration AND the currently activated analysis range. To relate the signal output to the actual concentration, it is necessary to know what range the instrument is currently on, especially when the analyzer is in the autoranging mode.

The signal output for concentration is linear over the currently selected analysis range. For example, if the analyzer is set on a range that was defined as 0–10 % O<sub>2</sub>, then the output would be as shown in Table 3-1.

**Table 3-1: Analog Concentration Output—Example**

% O <sub>2</sub>	Voltage Signal Output (V dc)	Current Signal Output (mA dc)
0	0.0	4.0
1	0.1	5.6
2	0.2	7.2
3	0.3	8.8
4	0.4	10.4
5	0.5	12.0
6	0.6	13.6
7	0.7	15.2
8	0.8	16.8
9	0.9	18.4
10	1.0	20.0

To provide an indication of the range, a second pair of analog output terminals are used. They generate a steady preset voltage (or current when using the current outputs) to represent a particular range. Table 3-2 gives the range ID output for each analysis range.

**Table 3-2: Analog Range ID Output—Example**

Range	Voltage (V)	Current (mA)
LO	0.25	8
MED	0.50	12
HI	0.75	16
CAL (0-25%)	1.00	20

### 3.3.4 Alarm Relays

There are three alarm-circuit connectors on the alarm relays block (under RELAY OUTPUTS) for making connections to internal alarm relay contacts. Each provides a set of Form C contacts for each type of alarm. Each has both normally open and normally closed contact connections. The contact connections are indicated by diagrams on the rear panel. They are capable of switching up to 3 amperes at 250 V ac into a resistive load. See Figure 3-6.

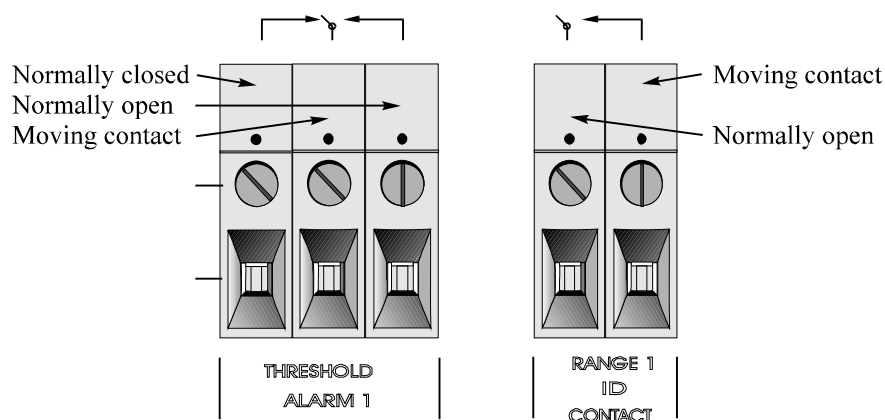


Figure 3-6: Types of Relay Contacts

The connectors are:

- Threshold Alarm 1:
- Can be configured as high (actuates when concentration is above threshold), or low (actuates when concentration is below threshold).
  - Can be configured as failsafe or nonfailsafe.
  - Can be configured as latching or nonlatching.
  - Can be configured out (defeated).
- Threshold Alarm 2:
- Can be configured as high (actuates when concentration is above threshold), or low (actuates when concentration is below threshold).
  - Can be configured as failsafe or nonfailsafe.
  - Can be configured as latching or nonlatching.
  - Can be configured out (defeated).
- System Alarm:
- Actuates when DC power supplied to circuits is unacceptable in one or more parameters. Permanently configured as failsafe and latching. Cannot be defeated. Actuates if self test fails.
- To reset a System Alarm during installation, disconnect power to the instrument and then reconnect it.

Further detail can be found in chapter 4, section 4-5.

### 3.3.5 Digital Remote Cal Inputs

**Remote Zero and Span Inputs:** The REMOTE SPAN and REMOTE ZERO inputs are on the DIGITAL INPUT terminal block. They accept 0 V (OFF) or 24 V dc (ON) for remote control of calibration. (See *Remote Calibration Protocol* below.)

- ZERO:** Floating input. 5 to 24 V input across the + and – terminals puts the analyzer into the *Zero* mode. Either side may be grounded at the source of the signal. 0 to 1 volt across the terminals allows *Zero* mode to terminate when done. A synchronous signal must open and close the external zero valve appropriately. See 3.3.9 *Remote Sensor and Solenoid Valves*. (With the –C option, the internal valves automatically operate synchronously.)
- SPAN:** Floating input. 5 to 24 V input across the + and – terminals puts the analyzer into the *Span* mode. Either side may be grounded at the source of the signal. 0 to 1 volt across the terminals allows *Span* mode to terminate when done. A synchronous signal must open and close the external span valve appropriately. See 3.3.9 *Remote Sensor and Solenoid Valves*. (With the –C option, the internal valves automatically operate synchronously.)

**Cal Contact:** This relay contact is closed while analyzer is spanning and/or zeroing. (See *Remote Calibration Protocol* below.)

**Remote Calibration Protocol:** To properly time the Digital Remote Cal Inputs to the Model 3000PB Analyzer, the customer's controller must monitor the CAL CONTACT relay.

When the contact is OPEN, the analyzer is analyzing, the Remote Cal Inputs are being polled, and a zero or span command can be sent.

When the contact is CLOSED, the analyzer is already calibrating. It will ignore your request to calibrate, and it will not remember that request.

Once a zero or span command is sent, and acknowledged (contact closes), release it. If the command is continued until after the zero or span is complete, the calibration will repeat and the Cal Relay Contact (CRC) will close again.

For example:

- 1) Test the CRC. When the CRC is open, Send a zero command until the CRC closes (The CRC will quickly close.)
- 2) When the CRC closes, remove the zero command.
- 3) When CRC opens again, send a span command until the CRC closes. (The CRC will quickly close.)
- 4) When the CRC closes, remove the span command.

When CRC opens again, zero and span are done, and the sample is being analyzed.

**Note:** The remote probe connections (paragraph 3.3.9) provides signals to ensure that the zero and span gas valves will be controlled synchronously. If you have the –C Internal valve option—which includes additional zero and span gas inputs—the 3000PB automatically regulates the zero, span and sample gas flow.

### 3.3.6 Range ID Relays

There are four dedicated RANGE ID CONTACT relays. The first three ranges are assigned to relays in ascending order—Low range is assigned to RANGE 1 ID, Medium range is assigned to RANGE 2 ID, and High range is assigned to RANGE 3 ID. RANGE 4 ID is reserved for the Air Cal Range (25%).

### 3.3.7 Network I/O

A serial digital input/output for local network protocol. At this printing, this port is not yet functional. It is to be used in future versions of the instrument.

### 3.3.8 RS-232 Port

The digital signal output is a standard RS-232 serial communications port used to connect the analyzer to a computer, terminal, or other digital device. The pinouts are listed in Table 3-3.

**Table 3-3: RS-232 Signals**

RS-232 Sig	RS-232 Pin	Purpose
DCD	1	Data Carrier Detect
RD	2	Received Data
TD	3	Transmitted Data
DTR	4	Data Terminal Ready
COM	5	Common
DSR	6	Data Set Ready
RTS	7	Request to Send
CTS	8	Clear to Send
RI	9	Ring Indicator

The data sent is status information, in digital form, updated every two seconds. Status is reported in the following order:

- The concentration in percent

- The range in use (HI, MED, LO)
- The span of the range (0-100 %, etc)
- Which alarms—if any—are disabled (AL-x DISABLED)
- Which alarms—if any—are tripped (AL-x ON).

Each status output is followed by a carriage return and line feed.

Three input functions using RS-232 have been implemented to date. They are described in Table 3-4.

**Table 3-4: Commands via RS-232 Input**

Command	Description
<b>as</b> <enter>	Immediately starts an autospan.
<b>az</b> <enter>	Immediately starts an autozero.
<b>co</b> <enter>	Reports “Raw Cell Output” (current output of the sensor itself) in $\mu\text{A}$ . For example—  <b>Raw Cell Output: 99 <math>\mu\text{A}</math></b>
<b>st</b> <enter>	Toggling input. Stops/Starts any status message output from the RS-232, until <b>st</b> <enter> is sent again.

The RS-232 protocol allows some flexibility in its implementation. Table 3-5 lists certain RS-232 values that are required by the 3000PB implementation.

**Table 3-5: Required RS-232 Options**

Parameter	Setting
Baud	2400
Byte	8 bits
Parity	none
Stop Bits	1
Message Interval	2 seconds

### 3.3.9 Remote Sensor and Solenoid Valves

The 3000PB is a single-chassis instrument, which has its own sensor and, in the -C option, its own gas-control solenoid valves. However, The REMOTE SENSOR and SOLENOID RETURN connectors are provided for use with a remote sensor and/or sampling system, if desired. See Figures 3-7 and 3-8.

11-1	Thermistor Return	Remote Thermistor
11-2	Thermistor Hot	Remote Thermistor
11-3	Sensor Return (-)	Remote Sensor -
11-4	Sensor Hot (+)	Remote Sensor +

Figure 3-7: Remote Sensor Connector Pinouts

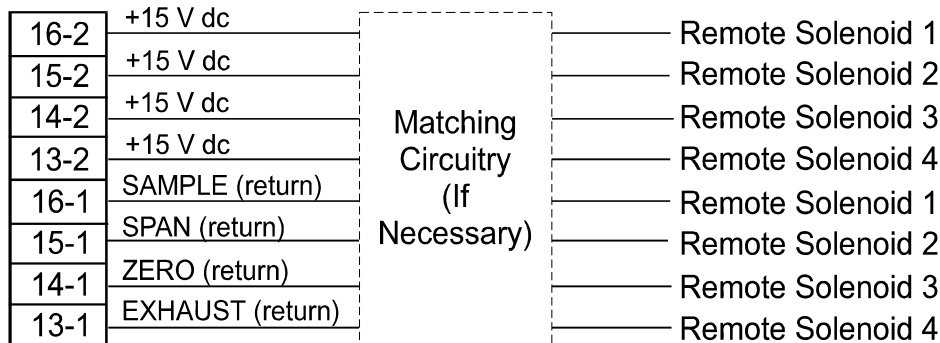


Figure 3-8: Remote Solenoid Return Connector Pinouts

The voltage from these outputs is nominally 0 V for the OFF and 15 V dc for the ON conditions. The maximum combined current that can be pulled from these output lines is 100 mA. (If two lines are ON at the same time, each must be limited to 50 mA, etc.) If more current and/or a different voltage is required, use a relay, power amplifier, or other matching circuitry to provide the actual driving current.

In addition, each individual line has a series FET with a nominal ON resistance of 5 ohms (9 ohms worst case). This could limit the obtainable voltage, depending on the load impedance applied. See Figure 3-9.

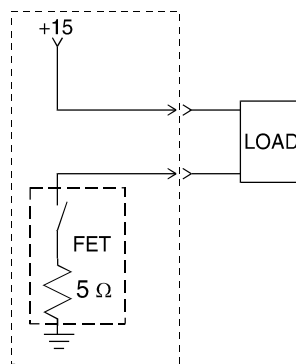


Figure 3-9: FET Series Resistance



### 3.4 Installing the Micro-Fuel Cell

The Micro-Fuel Cell is not installed in the cell block when the instrument is shipped. It must be installed before the analyzer is placed in service.

Once it is expended, or if the cell is exposed to air for too long, the Micro-Fuel Cell will need to be replaced. The cell could also require replacement if the instrument has been idle for too long.

When the micro-Fuel Cell needs to be installed or replaced, follow the procedures in chapter 5, *Maintenance*, for removing and installing cells.

### 3.5 Gas Connections

Before using this instrument, it should be determined if the unit will be used for pressurized service or vacuum service and low pressure applications. Inspect the restrictor kit that came with the unit. The kit consist of two restrictors and a union for 1/4" diameter tubing. Notice that the two 1 3/4" long, 1/4" diameter tubing are restrictors. It has an open end and a closed end with a small circular orifice. The restrictor without the blue sticker is for low pressure and vacuum service. For high pressure (5 to 50 psig) applications, use the restrictor that has a blue sticker on the body.

For pressurized service, use the restrictor without the blue dot and union from the restrictor kit and attach it to the Sample In port. The small circular orifice should face away from the back of the unit (against the direction of gas flow). Use the restrictor without the blue dot sticker in the same manner for low pressure applications (less than 5 psig).

For vacuum service (5-10 in Hg), use the restrictor without the blue dot sticker and union but attach it to the Exhaust Out port. The small circular orifice should face toward the back of the unit (against the direction of gas flow).

Remove the blue sticker from the restrictor before using.

**WARNING:**        *Operating the unit without restrictors can cause damage to the micro-fuel cell.*

Figure 3-10 is an illustration of the Gas Connector Panel. Optional gas connections are shown in shaded blocks.

The unit is manufactured with 1/4 inch tube fittings, and 6 mm adapters are supplied for metric system installations.

For a safe connection:

1. Insert the tube into the tube fitting, and finger-tighten the nut until the tubing cannot be rotated freely, by hand, in the fitting. (This may require an additional  $\frac{1}{8}$  turn beyond finger-tight.)
2. Hold the fitting body steady with a backup wrench, and with another wrench rotate the nut another  $1\frac{1}{4}$  turns.

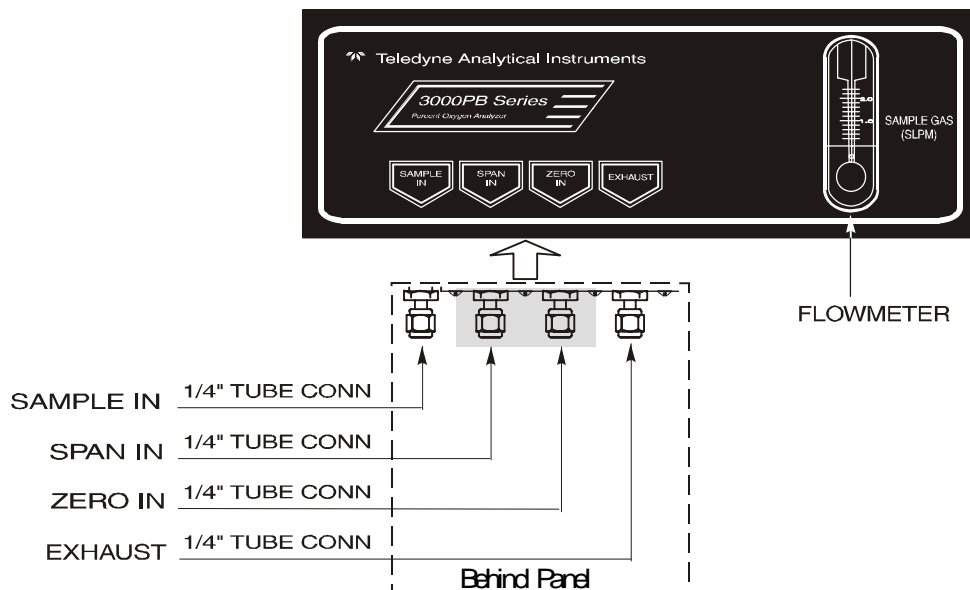


Figure 3-10: Gas Connector Panel

**SAMPLE IN:** In the standard model, gas connections are made at the SAMPLE IN and EXHAUST OUT connections. Calibration gases must be Tee'd into the Sample inlet with appropriate valves.

The gas pressure in should be reasonably regulated. Pressures between 3 and 40 psig are acceptable as long as the pressure, once established, will keep the front panel flowmeter reading in an acceptable range (0.1 to 2.4 SLPM). Exact figures will depend on your process.

If greater flow is required for improved response time, install a bypass in the sampling system upstream of the analyzer input.

**Note:** If you have the -V option, The above numbers apply instead to the vacuum at the EXHAUST OUT connector, described below, with minus signs before the pressure readings.

**ZERO IN and SPAN IN:** These are additional ports, included on models with the -C option, for inputting span gas and zero gas. There are electrically operated valves inside for automatic switching between sample

and calibration gases. These valves are completely under control of the 3000PB Electronics. They can be externally controlled only indirectly through the Remote Cal Inputs, described below.

Pressure, flow, and safety considerations are the same as prescribed for the SAMPLE IN inlet, above.

**EXHAUST OUT:** Exhaust connections must be consistent with the hazard level of the constituent gases. Check Local, State, and Federal laws, and ensure that the exhaust stream vents to an appropriately controlled area if required.

**Note:** If your 3000PB has the –V option, see *Sample In*, above, for gas pressure/flow considerations.

### 3.6 Testing the System

Before plugging the instrument into the power source:

- Check the integrity and accuracy of the gas connections. Make sure there are no leaks.
- Check the integrity and accuracy of the electrical connections. Make sure there are no exposed conductors
- Check that sample pressure is between 3 and 40 psig, according to the requirements of your process.
- Check that the voltage selector switch on the Electrical Connector Panel is in the appropriate position for your power source.

Power up the system, and test it by performing the following operations:

1. Repeat the Self-Diagnostic Test as described in chapter 4, section 4.3.5.

## Operation

---

### 4.1 Introduction

Once the analyzer has been installed, it can be configured for your application. To do this you will:

- Set system parameters:
  - Establish a security password, if desired, requiring operator to log in.
  - Establish and start an automatic calibration cycle, if desired.
- Calibrate the instrument.
- Define the three user selectable analysis ranges. Then choose autoranging or select a fixed range of analysis, as required.
- Set alarm setpoints, and modes of alarm operation (latching, failsafe, etc).

Before you configure your 3000PB these default values are in effect:

**Ranges:** LO = 1 %, MED = 5 %, HI = 10 %

**Auto Ranging:** ON

**Alarm Relays:** Defeated, 10 %, HI, Not failsafe, Not latching

**Zero:** Auto, every 0 days at 0 hours

**Span:** Auto, at 20.9 %, every 0 days at 0 hours

If you choose not to use password protection, the default password is automatically displayed on the password screen when you start up, and you simply press *Enter* for access to all functions of the analyzer.

## 4.2 Using the Data Entry and Function Buttons

**Data Entry Buttons:** The < > arrow buttons select options from the menu currently displayed on the VFD screen. The selected option blinks.

When the selected option includes a modifiable item, the  $\Delta \nabla$  arrow buttons can be used to increment or decrement that modifiable item.

The *Enter* button is used to accept any new entries on the VFD screen. The *Escape* button is used to abort any new entries on the VFD screen that are not yet accepted by use of the *Enter* button.

Figure 4-1 shows the hierarchy of functions available to the operator via the function buttons. The six function buttons on the analyzer are:

- **Analyze.** This is the normal operating mode. The analyzer monitors the oxygen content of the sample, displays the percent of oxygen, and warns of any alarm conditions.
- **System.** The system function consists of six subfunctions that regulate the internal operations of the analyzer:
  - Set LCD screen contrast
  - Setup Auto-Cal
  - Assign Password
  - Initiate Self-Test
  - Check software version
  - View sensor output
  - Log out.
- **Zero.** Used to set up a zero calibration.
- **Span.** Used to set up a span calibration.
- **Alarms.** Used to set the alarm setpoints and determine whether each alarm will be active or defeated, HI or LO acting, latching, and/or failsafe.
- **Range.** Used to set up three analysis ranges that can be switched automatically with auto-ranging or used as individual fixed ranges.

**Contrast Function is *DISABLED***  
(Refer to Section 1.6)



Any function can be selected at any time by pressing the appropriate button (unless password restrictions apply). The order as presented in this manual is appropriate for an initial setup.

Each of these functions is described in greater detail in the following procedures. The VFD screen text that accompanies each operation is repro-

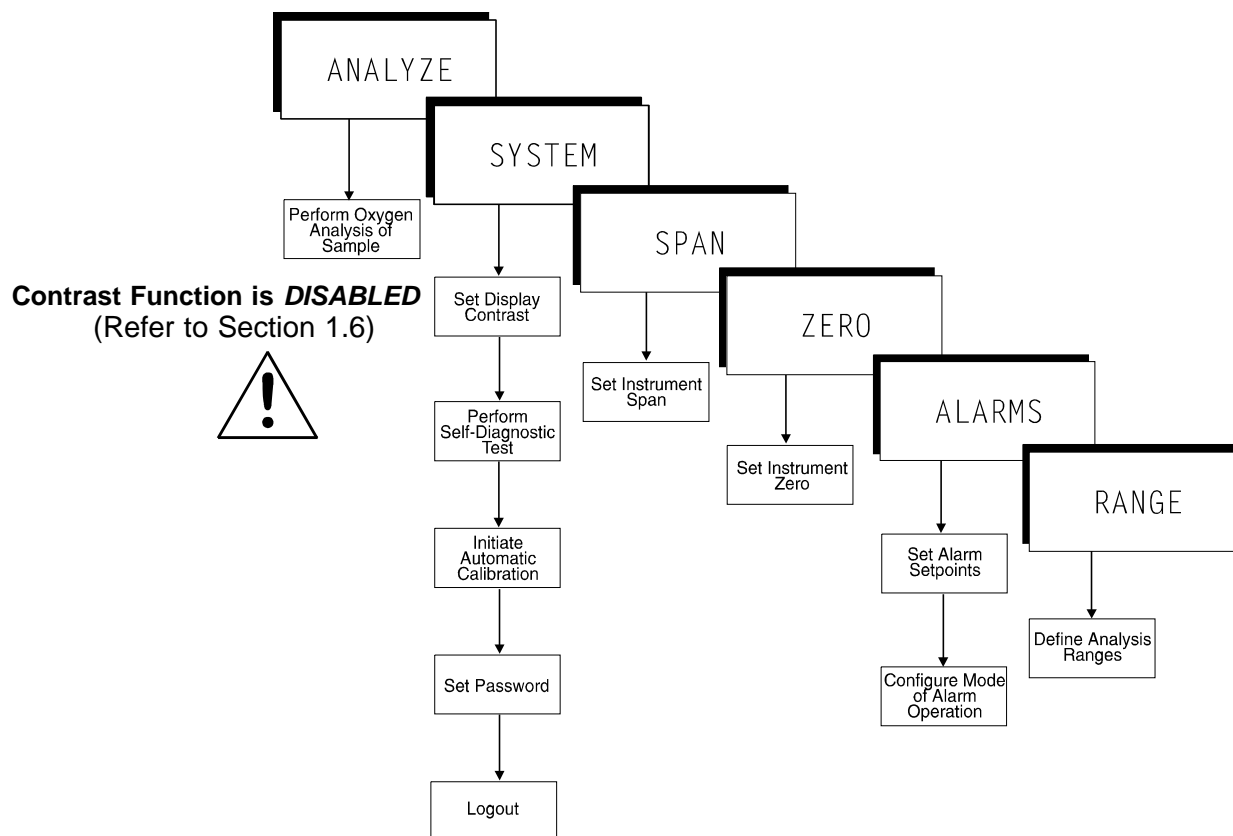


Figure 4-1: Hierarchy of Functions and Subfunctions

duced, at the appropriate point in the procedure, in a Monospaced type style. Pushbutton names are printed in *Oblique* type.

### 4.3 The System Function

The subfunctions of the *System* function are described below. Specific procedures for their use follow the descriptions:

- **Auto-Cal:** Used to define an automatic calibration sequence and/or start an Auto-Cal.
- **PSWD:** Security can be established by choosing a 5 digit password (PSWD) from the standard ASCII character set. (See *Installing or Changing a Password*, below, for a table of ASCII characters available.) Once a unique password is assigned and activated, the operator **MUST** enter the **UNIQUE** password to gain access to set-up functions which alter the instrument's

operation, such as setting the instrument span or zero setting, adjusting the alarm setpoints, or defining analysis ranges.

After a password is assigned, the operator must **log out** to activate it. Until then, anyone can continue to operate the instrument without entering the new password.

**Only one password can be defined.** Before a unique password is assigned, the system assigns TBEAI by default. This allows access to anyone. After a unique password is assigned, to defeat the security, the password must be changed back to TBEAI.

- **Logout:** Logging out prevents unauthorized tampering with analyzer settings.
- **More:** Select and enter **More** to get a new screen with additional subfunctions listed.
- **Self-Test:** The instrument performs a self-diagnostic test to check the integrity of the power supply, output boards and amplifiers.
- **Version:** Displays Manufacturer, Model, and Software Version of instrument.

#### 4.3.1 Setting the Display

Contrast Function is *DISABLED*  
(Refer to Section 1.6)



If you cannot read anything on the display after first powering up:

1. Observe LED readout.
  - a. If LED meter reads all **eights and periods**, go to step 3.
  - b. If LED meter displays anything else, go to step 2.
2. Press **I/O** button twice to turn Analyzer OFF and ON again. LED meter should now read all eights and periods.

### 4.3.2 Setting up an Auto-Cal

When proper automatic valving is connected (see chapter 3, *installation*), the Analyzer can cycle itself through a sequence of steps that automatically zero and span the instrument.

**Note:** If you require highly accurate Auto-Cal timing, use external Auto-Cal control where possible. The internal clock in the Model 3000PB is accurate to 2-3 %. Accordingly, internally scheduled calibrations can vary 2-3 % per day.

To setup an Auto-Cal cycle:

Choose *System* from the Function buttons. The VFD will display five subfunctions.



**Contrast Function is DISABLED** Contrast Auto—Cal  
(Refer to Section 1.6) PSWD Logout More

Use < > arrows to blink Auto—Cal, and press *Enter*. A new screen for Span/Zero set appears.

**Span OFF Nxt: 0d 0h**  
**Zero OFF Nxt: 0d 0h**

Press < > arrows to blink Span (or Zero), then press *Enter* again. (*You won't be able to set OFF to ON if a zero interval is entered.*) A Span Every ... (or Zero Every ...) screen appears.

**Span Every 0 d**  
**Start 0 h from now**

Use  $\Delta \nabla$  arrows to set an interval value, then use < > arrows to move to the start-time value. Use  $\Delta \nabla$  arrows to set a start-time value.

To turn ON the Span and/or Zero cycles (to activate Auto-Cal): Press *System* again, choose Auto—Cal, and press *Enter* again. When the Span/Zero screen appears, use the < > arrows to blink the Span (or Zero) OFF/ON field. Use  $\Delta \nabla$  arrows to set the OFF/ON field to ON. You can now turn these fields ON because there is a nonzero span interval defined.

### 4.3.3 Password Protection

If a password is assigned, then setting the following system parameters can be done only after the password is entered: **span** and **zero** settings, **alarm** setpoints, analysis **range** definitions, switching between **autoranging** and manual override, setting up an **auto-cal**, and assigning a new **password**. However, the instrument can still be used for analysis or for initiating a self-test without entering the password.



If you have decided not to employ password security, use the default password TBEAI. This password will be displayed automatically by the microprocessor. The operator just presses the Enter key to be allowed total access to the instrument's features.

**NOTE: If you use password security, it is advisable to keep a copy of the password in a separate, safe location.**

#### 4.3.3.1 Entering the Password

To install a new password or change a previously installed password, you must key in and *ENTER* the old password first. If the default password is in effect, pressing the *ENTER* button will enter the default TBEAI password for you.

Press *System* to enter the *System* mode.

**Contrast Auto—Cal  
PSWD Logout More**

**Contrast Function is *DISABLED***  
(Refer to Section 1.6)



Use the < > arrow keys to scroll the blinking over to PSWD, and press *Enter* to select the password function. Either the default TBEAI password or AAAAA place holders for an existing password will appear on screen depending on whether or not a password has been previously installed.

**T B E A I**  
**Enter PWD**

or

**A A A A A**  
**Enter PWD**

The screen prompts you to enter the current password. If you are not using password protection, press *Enter* to accept TBEAI as the default password. If a password has been previously installed, enter the password using the < > arrow keys to scroll back and forth between letters, and the  $\Delta \nabla$  arrow keys to change the letters to the proper password. Press *Enter* to enter the password.

If the password is accepted, the screen will indicate that the password restrictions have been removed and you have clearance to proceed.

**PSWD Restrictions  
Removed**

In a few seconds, you will be given the opportunity to change this password or keep it and go on.

**Change Password?**  
**<ENT>=Yes <ESC>=No**

Press *Escape* to move on, or proceed as in *Changing the Password*, below.

#### 4.3.3.2 Installing or Changing the Password

If you want to install a password, or change an existing password, proceed as above in *Entering the Password*. When you are given the opportunity to change the password:

**Change Password?**  
**<ENT>=Yes <ESC>=No**

Press *Enter* to change the password (either the default TBEAI or the previously assigned password), or press *Escape* to keep the existing password and move on.

If you chose *Enter* to change the password, the password assignment screen appears.

**T B E A I**  
**<ENT> To Proceed**

or

**A A A A A**  
**<ENT> To Proceed**

Enter the password using the < > arrow keys to move back and forth between the existing password letters, and the  $\Delta$   $\nabla$  arrow keys to change the letters to the new password. The full set of 94 characters available for password use are shown in the table below.

#### **Characters Available for Password Definition:**

A	B	C	D	E	F	G	H	I	J
K	L	M	N	O	P	Q	R	S	T
U	V	W	X	Y	Z	[	¥	]	^
_	`	a	b	c	d	e	f	g	h
i	j	k	l	m	n	o	p	q	r
s	t	u	v	w	x	y	z	{	
}	→	!	"	#	\$	%	&	'	(
)	*	+	,	-	.	/	0	1	2
3	4	5	6	7	8	9	:	;	<
=	>	?	@						

When you have finished typing the new password, press *Enter*. A verification screen appears. The screen will prompt you to retype your password for verification.

**A A A A A**  
**Retype PWD To Verify**

Wait a moment for the entry screen. You will be given clearance to proceed.

**A A A A A**  
**<ENT> TO Proceed**

Use the arrow keys to retype your password and press *Enter* when finished. Your password will be stored in the microprocessor and the system will immediately switch to the *Analyze* screen, and you now have access to all instrument functions.

If all alarms are defeated, the *Analyze* screen appears as:

**0.0      % Anlz**  
**Range: 0 — 10**

If an alarm is tripped, the second line will change to show which alarm it is:

**0.0      % Anlz**  
**AL—1**

**Note:** If you log off the system using the logout function in the system menu, you will now be required to re-enter the password to gain access to Span, Zero, Alarm, and Range functions.

#### 4.3.4 Logout

The Logout function provides a convenient means of leaving the analyzer in a password protected mode without having to shut the instrument off. By entering **Logout**, you effectively log off the instrument leaving the system protected against use until the password is reentered. To log out, press the *System* button to enter the *System* function.

**Contrast Auto—Cal**  
**PSWD Logout More**

**Contrast Function is *DISABLED***  
 (Refer to Section 1.6)



Use the < > arrow keys to position the blinking over the Logout function, and press *Enter* to Log out. The screen will display the message:

**Protected Until**  
**Password Reentered**

### 4.3.5 System Self-Diagnostic Test

The Model 3000PB has a built-in self-diagnostic testing routine. Pre-programmed signals are sent through the power supply, output board and sensor circuit. The return signal is analyzed, and at the end of the test the status of each function is displayed on the screen, either as OK or as a number between 1 and 3. (See *System Self Diagnostic Test* in chapter 5 for number code.)

The self diagnostics are run automatically by the analyzer whenever the instrument is turned on, but the test can also be run by the operator at will. To initiate a self diagnostic test during operation:

Press the *System* button to start the *System* function.



**Contrast Function is *DISABLED* Contrast Auto—Cal**  
(Refer to Section 1.6) **PSWD Logout More**

Use the < > arrow keys to blink *More*, then press *Enter*.

**Version Self—Test**  
**Cell Output: ###  $\mu$ A**

Use the < > arrow keys again to move the blinking to the *Self—Test* function. The screen will follow the running of the diagnostic.

**RUNNING DIAGNOSTIC**  
**Testing Preamp — 83**

During preamp testing there is a countdown in the lower right corner of the screen. When the testing is complete, the results are displayed.

**Power: OK Analog: OK**  
**Preamp: 3**

The module is functioning properly if it is followed by OK. A number indicates a problem in a specific area of the instrument. Refer to Chapter 5 *Maintenance and Troubleshooting* for number-code information. The results screen alternates for a time with:

**Press Any Key**  
**To Continue...**

Then the analyzer returns to the initial *System* screen.

### 4.3.6 Version Screen

Move the < > arrow key to *More* and press *Enter*. With *Version* blinking, press *Enter*. The screen displays the manufacturer, model, and software version information.

## 4.4 The Span Functions

The analyzer is calibrated using span gas.

**NOTE:** *Zero is not necessary for Percent (%) level measurements.*

*Additional information on Zero functions is provided in the Appendix A-6 of this manual.*

Although the instrument can be spanned using air, a span gas with a known oxygen concentration in the range of 70–90% of full scale of the range of interest is recommended. Since the oxygen concentration in air is 20.9 %, therefore 20.9% is ideal calibration.

Connect the calibration gases to the analyzer according to the instructions given in Section 3.4.1, *Gas Connections*, observing all the prescribed precautions.

**Shut off the gas pressure before connecting it to the analyzer, and be sure to limit the pressure to 40 psig or less when turning it back on.**



Readjust the gas pressure into the analyzer until the flowrate (as read on the analyzer's SLPM flowmeter) settles between 0.5 and 2.4 SLPM (approximately 1-5 scfh).

If you are using password protection, you will need to enter your password to gain access to either of these functions. Follow the instructions in section 4.3.3 to enter your password. Once you have gained clearance to proceed, you can enter the *Zero* or *Span* function.

### 4.4.1. Cell Failure

When the sensor in the 3000PB begins to fail, the analyzer will usually require more and more frequent calibration. If the 3000PB analysis readings drift downward uncharacteristically, try recalibration. If recalibration raises the readings temporarily only, the cell may be failing.

You can check the output of the cell itself by going to the *System* function, selecting *More*, and pressing *Enter*. The cell output reading will be on the second line of the display.

**Version Self—Test**

**Cell Output: ###  $\mu$ A**

The “good” reading depends on the class of cell your analyzer is using.

Although the B-1 cell is standard in the 3000PB, **check *Specific Model Information in the Front Matter in this manual for the class of cell you purchased.*** Then check *Cell Replacement* in chapter 5 *Maintenance*, and do

the prescribed calculations. If a weak cell is indicated, replace the cell as described.

#### 4.4.2 Span Cal

The *Span* button on the control panel is used to span calibrate the analyzer. Span calibration can be performed using the **automatic** mode, where an internal algorithm compares consecutive readings from the sensor to determine when the output matches the span gas concentration. Span calibration can also be performed **manual** mode, where the operator determines when the span concentration reading is acceptable and then manually exits the function.

##### 4.4.2.1 Auto Mode Spanning

Press *Span* to enter the span function. The screen that appears allows you to select whether the span calibration is to be performed automatically or manually. Use the  $\Delta\nabla$  arrow keys to toggle between AUTO and MAN span settling. Stop when AUTO appears, blinking, on the display.

**Span: Settling: AUTO**  
**<ENT> For Next**

Press *Enter* to move to the next screen.

**Span Val: 20.90**  
**<ENT>Span <UP>Mod #**

Use the  $\Delta\nabla$  arrow keys to enter the oxygen-concentration mode. Use the < > arrow keys to blink the digit you are going to modify. Use the  $\Delta\nabla$  arrow keys again to change the value of the selected digit. When you have finished typing in the concentration of the span gas you are using (20.90 if you are using air), press *Enter* to begin the Span calibration.

**#### % Span**  
**Slope=#### ppm/s**

The beginning span value is shown in the upper left corner of the display. As the span reading settles, the screen displays and updates information on Slope. Spanning automatically ends when the span concentration corresponds, within tolerance, to the value of the span gas concentration. Then the instrument automatically returns to the analyze mode.

#### 4.4.2.2 Manual Mode Spanning

Press *Span* to start the *Span* function. The screen that appears allows you to select whether the span calibration is to be performed automatically or manually.

**Span: Settling:MAN**  
**<ENT> For Next**

Use the  $\Delta\nabla$  keys to toggle between AUTO and MAN span settling. Stop when MAN appears, blinking, on the display. Press *Enter* to move to the next screen.

**Span Val: 20.90**  
**<ENT>Span <UP>Mod #**

Press  $\Delta$  (<UP>) to permit modification (Mod #) of span value.

Use the arrow keys to enter the oxygen concentration of the span gas you are using (20.90 if you are using air). The <> arrows chose the digit, and the  $\Delta\nabla$  arrows choose the value of the digit.

Press *Enter* to enter the span value into the system and begin the span calibration.

Once the span has begun, the microprocessor samples the output at a predetermined rate. It calculates the difference between successive samplings and displays this difference as *Slope* on the screen. It takes several seconds for the first *Slope* value to display. *Slope* indicates rate of change of the *Span* reading. It is a sensitive indicator of stability.

**#### % Span**  
**Slope=#### ppm/s**

When the *Span* value displayed on the screen is sufficiently stable, press *Enter*. (Generally, when the *Span* reading changes by 1 % or less of the full scale of the range being calibrated for a period of five minutes it is sufficiently stable.) Once *Enter* is pressed, the *Span* reading changes to the correct value. The instrument then automatically enters the *Analyze* function.

## 4.5 The Alarms Function

The Model 3000PB is equipped with 2 fully adjustable concentration alarms and a system failure alarm. Each alarm has a relay with a set of form "C" contacts rated for 3 amperes resistive load at 250 V ac. See Figure in Chapter 3, *Installation* and/or the Interconnection Diagram included at the back of this manual for relay terminal connections.

---

The system failure alarm has a fixed configuration described in chapter 3 *Installation*.

The concentration alarms can be configured from the control panel as either *high* or *low* alarms by the operator. The alarm modes can be set as *latching* or *non-latching*, and either *failsafe* or *non-failsafe*, or, they can be *defeated* altogether. The setpoints for the alarms are also established using this function.

Decide how your alarms should be configured. The choice will depend upon your process. Consider the following four points:

1. Which if any of the alarms are to be high alarms and which if any are to be low alarms?

Setting an alarm as HIGH triggers the alarm when the oxygen concentration rises above the setpoint. Setting an alarm as LOW triggers the alarm when the oxygen concentration falls below the setpoint.

Decide whether you want the alarms to be set as:

- Both high (high and high-high) alarms, or
- One high and one low alarm, or
- Both low (low and low-low) alarms.

2. Are either or both of the alarms to be configured as failsafe?

In failsafe mode, the alarm relay de-energizes in an alarm condition. For non-failsafe operation, the relay is energized in an alarm condition. You can set either or both of the concentration alarms to operate in failsafe or non-failsafe mode.

3. Are either of the alarms to be latching?

In latching mode, once the alarm or alarms trigger, they will remain in the alarm mode even if process conditions revert back to non-alarm conditions. This mode requires an alarm to be recognized before it can be reset. In the non-latching mode, the alarm status will terminate when process conditions revert to non-alarm conditions.

4. Are either of the alarms to be defeated?

The defeat alarm mode is incorporated into the alarm circuit so that maintenance can be performed under conditions which would normally activate the alarms.

The defeat function can also be used to reset a latched alarm. (See procedures, below.)



If you are using password protection, you will need to enter your password to access the alarm functions. Follow the instructions in section 4.3.3 to enter your password. Once you have clearance to proceed, enter the *Alarm* function.

Press the *Alarm* button on the control panel to enter the *Alarm* function. Make sure that AL-1 is blinking.

**AL-1 AL-2**  
**Choose Alarm**

Set up alarm 1 by moving the blinking over to AL-1 using the < > arrow keys. Then press *Enter* to move to the next screen.

**AL-1 1.00 % HI**  
**Dft-N Fs-N Ltch-N**

Five parameters can be changed on this screen:

- Value of the alarm setpoint, AL-1 ##### % (oxygen)
- Out-of-range direction, HI or LO
- Defeated? Dft-Y/N (Yes/No)
- Failsafe? Fs-Y/N (Yes/No)
- Latching? Ltch-Y/N (Yes/No).
- To define the setpoint, use the < > arrow keys to move the blinking over to AL-1 #####. Then use the  $\Delta \nabla$  arrow keys to change the number. Holding down the key speeds up the incrementing or decrementing. (Remember, the setpoint units are percent-of-oxygen.)
- To set the other parameters use the < > arrow keys to move the blinking over to the desired parameter. Then use the  $\Delta \nabla$  arrow keys to change the parameter.
- Once the parameters for alarm 1 have been set, press *Alarms* again, and repeat this procedure for alarm 2 (AL-2).
- To reset a latched alarm, go to Dft- and then press either  $\Delta$  two times or  $\nabla$  two times. (Toggle it to **Y** and then back to **N**.)

–OR–

Go to Ltch- and then press either  $\Delta$  two times or  $\nabla$  two times. (Toggle it to **N** and back to **Y**.)

## 4.6 The *Range* Function

The Range function allows the operator to program up to three concentration ranges to correlate with the DC analog outputs. If no custom ranges are defined by the user, the instrument defaults to:

Low = 0–1.00 %  
Med = 0–5.00 %  
High = 0–10.00 %.

The Model 3000PB is set at the factory to default to autoranging. In this mode, the microprocessor automatically responds to concentration changes by switching ranges for optimum readout sensitivity. If the current range limits are exceeded, the instrument will automatically shift to the next higher range. If the concentration falls slightly below full scale of the next lower range, the instrument will switch to that range. A corresponding shift in the DC percent-of-range output, and in the range ID outputs, will be noticed.

The autoranging feature can be overridden so that analog output stays on a fixed range regardless of the oxygen concentration detected. If the concentration exceeds the upper limit of the range, the DC output will saturate at 1 V dc.

However, the digital readout and the RS-232 output of the concentration are unaffected by the fixed range. They continue to read accurately with full precision. See Control Panel description (*Operator Interface*) in Chapter 1.

### 4.6.1 Setting the Analog Output Ranges

To set the ranges, enter the range function mode by pressing the *Range* button on the control panel.

**L—1.00 M—5.00**  
**H—10.00 Mode—AUTO**

Use the <> arrow keys to blink the range to be set: low (L), medium (M), or high (H).

Use the  $\Delta\nabla$  arrow keys to enter the upper value of the range (all ranges begin at 0 %). Repeat for each range you want to set. Press *Enter* to accept the values and return to *Analyze* mode. (See note below.)

**Note:** The ranges must be increasing from low to high. For example, if range 1 is set as 0–1 % and range 2 is set as 0–10 %, range 3 cannot be set as 0–5 % since it is lower than range 2.

### 4.6.2 Autoranging Analysis

Set your analysis ranges as in 4.6.1, above. Leave Mode in Auto, or use the arrow buttons to change back to Auto.

When operating in autoranging, if the oxygen concentration in your sample goes ABOVE your HIGHEST range setting, the analyzer will go into the special 25 % cal range.

However, if one of your range settings is below 0-25 % and another is set above 0-25 %, the special 0-25 % Air Cal range will NOT activate as the oxygen level goes through 25 %. Nevertheless, if the oxygen concentration in your sample goes ABOVE your HIGHEST range setting, the analyzer will THEN drop back down into the special 25 % cal range.

Once the oxygen concentration drops back down into your highest range setting, the analyzer will automatically switch back to that range.

**CAUTION: While the analyzer is in the Air Cal range, the oxygen reading cannot go over 25 %, even if the oxygen concentration is higher than 25 %.**

### 4.6.3 Fixed Range Analysis

The autoranging mode of the instrument can be overridden, forcing the analyzer DC outputs to stay in a single predetermined range.

To switch from autoranging to fixed range analysis, enter the range function by pressing the *Range* button on the control panel.

Use the < > arrow keys to move the blinking over AUTO.

Use the  $\Delta \nabla$  arrow keys to switch from AUTO to FX/LO, FX/MED, or FX/HI to set the instrument on the desired fixed range (low, medium, or high).

L—1.00 M—5.00  
H—10.00 Mode—FX/LO

or

L—1.00 M—5.00  
H—10.00 Mode—FX/MED

or

L—1.00 M—5.00  
H—10.00 Mode—FX/HI

Press *Escape* to re-enter the *Analyze* mode using the fixed range.

**NOTE:** When performing analysis on a fixed range, if the oxygen concentration rises above the upper limit (or default value) as established by the operator for that particular range, the output saturates at 1 V dc. However, the digital readout and the RS-232 output continue to read the true value of the oxygen concentration regardless of the analog output range.

## 4.7 The *Analyze* Function

Normally, all of the functions automatically switch back to the *Analyze* function when they have completed their assigned operations. Pressing the *Escape* button in many cases also switches the analyzer back to the *Analyze* function. Alternatively, you can press the *Analyze* button at any time to return to analyzing your sample.

## 4.8 Signal Output

The standard Model 3000PB Percent Oxygen Analyzer is equipped with two 0–1 V dc analog output terminals accessible on the back panel (one concentration and one range ID). The –MA option also has two isolated 4–20 mA dc current outputs (one concentration and one range ID).

See *Rear Panel* in Chapter 3, *Installation*, for illustration.

The signal output for concentration is linear over the currently selected analysis range. For example, if the analyzer is set on range that was defined as 0–10 % O<sub>2</sub>, then the output would be:

% O <sub>2</sub>	Voltage Signal Output (V dc)	Current Signal Output (mA dc)
0	0.0	4.0
1	0.1	5.6
2	0.2	7.2
3	0.3	8.8
4	0.4	10.4
5	0.5	12.0
6	0.6	13.6
7	0.7	15.2
8	0.8	16.8
9	0.9	18.4
10	1.0	20.0

The analog output signal has a voltage which depends on the oxygen concentration AND the currently activated analysis range. To relate the signal output to the actual concentration, it is necessary to know what range the instrument is currently on, especially when the analyzer is in the autoranging mode.

To provide an indication of the range, a second pair of analog output terminals are used. They generate a steady preset voltage (or current if you have current outputs) to represent a particular range. The following table gives the range ID output for each analysis range:

<b>Range</b>	<b>Voltage (V)</b>	<b>Current (mA)</b>
LO	0.25	8
MED	0.50	12
HI	0.75	16
CAL (0-25%)	1.00	20

---

## Maintenance

---

### 5.1 Routine Maintenance



Aside from normal cleaning and checking for leaks at the gas connections, routine maintenance is limited to replacing Micro-Fuel cells and fuses, and recalibration. For recalibration, see Section 4.4 *The Zero and Span Functions*.



**WARNING:** SEE WARNINGS ON TITLE PAGE OF THIS MANUAL.

### 5.2 Major Internal Components

All internal components are accessed by unlatching and swinging open both the inner and outer doors, as described earlier. The major internal component locations are shown in Figure 3-1, the cell block is illustrated in Figure 3-2, and the fuse receptacle is shown in Figure 3-3

The 3000PB contains the following major internal components:

- Micro-Fuel Cell
- Nylon cell block
- Customer Interface PCB (Power Supply on bottom surface)
- Preamp PCB (Contains Microprocessor)
- Front Panel PCB (Contains Displays)
  - 5 digit LED meter
  - 2 line, 20 character, alphanumeric, VFD display
- Solenoid Operated Gas Control Valves (–C option only).

**See the drawings in the Drawings section in back of this manual for details.**

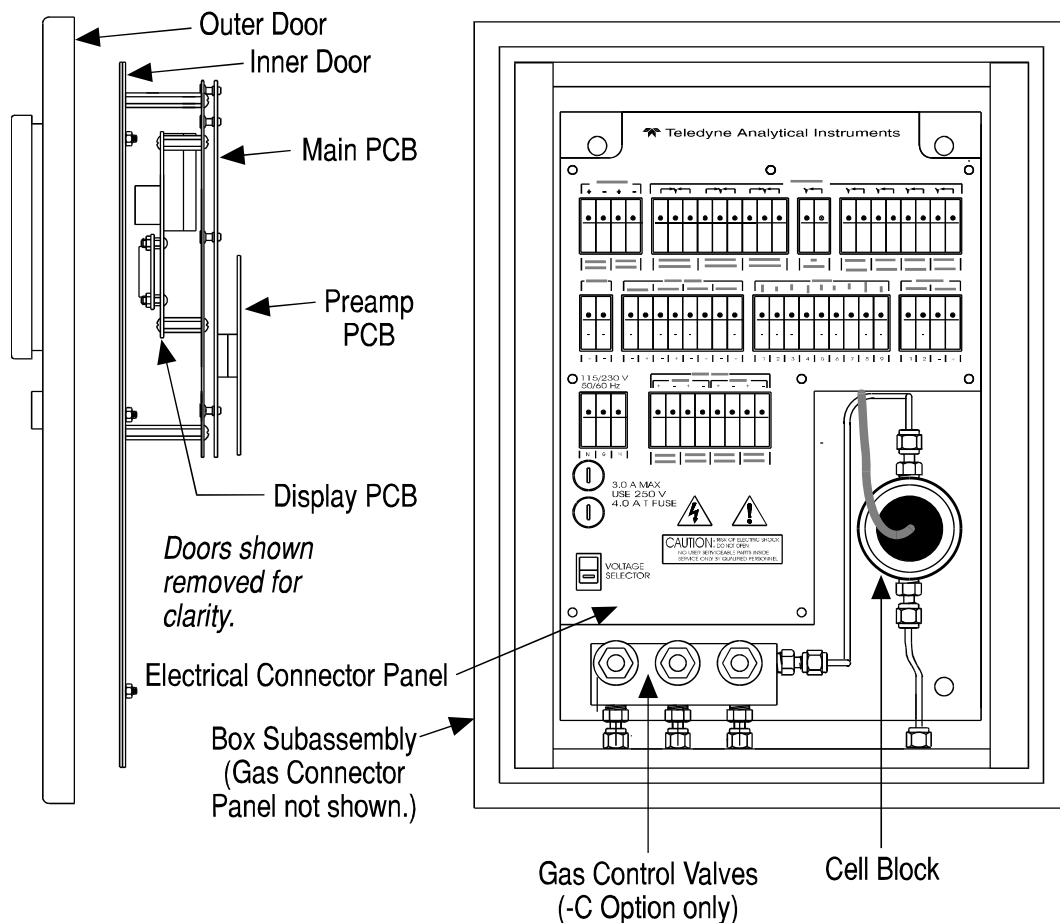


Figure 5-1: Major Internal Components

### 5.3 Cell Replacement

The Micro-Fuel Cell is a sealed electrochemical transducer with no electrolyte to change or electrodes to clean. When the cell reaches the end of its useful life, it is replaced. The spent fuel cell should be discarded in accordance with to all applicable safety and environmental regulations. This section describes fuel cell care as well as when and how to replace it.

The Class B-1 Micro-Fuel Cell is used in the standard Model 3000PB. If any other cell is supplied with your instrument, check the front of this manual for any addenda applying to your special model.

---

### 5.3.1 Storing and Handling Replacement Cells

To have a replacement cell available when it is needed, it is recommended that one spare cell be purchased 4-5 months after commissioning the 3000PB, or shortly before the end of the cell's warranty period.

**CAUTION:** *Do not stockpile cells. The warranty period starts on the day of shipment.*

The spare cell should be carefully stored in an area that is not subject to large variations in ambient temperature (75 °F nominal) or to rough handling.

**WARNING:** THE SENSOR USED IN THE MODEL 3000PB PERCENT OXYGEN ANALYZER USES ELECTROLYTES WHICH CONTAIN TOXIC SUBSTANCES, MAINLY LEAD AND POTASSIUM HYDROXIDE, THAT CAN BE HARMFUL IF TOUCHED, SWALLOWED, OR INHALED. AVOID CONTACT WITH ANY FLUID OR POWDER IN OR AROUND THE UNIT. WHAT MAY APPEAR TO BE PLAIN WATER COULD CONTAIN ONE OF THESE TOXIC SUBSTANCES. IN CASE OF EYE CONTACT, IMMEDIATELY FLUSH EYES WITH WATER FOR AT LEAST 15 MINUTES. CALL PHYSICIAN. (SEE APPENDIX, MATERIAL SAFETY DATA SHEET.)

### 5.3.2 When to Replace a Cell

When the sensor in the 3000PB begins to fail, the analyzer will usually require more and more frequent calibration. If the 3000PB analysis readings drift downward uncharacteristically, try recalibration. If recalibration raises the readings temporarily only, suspect the cell.

Before replacing the cell:

- a. Check for leaks downstream from the cell, where oxygen may be leaking into the system.
- b. Check your span gas to make sure it is within specifications.
- c. If there are no leaks and the span gas is OK, check the output of the cell itself by going to the *System* function, selecting *More*, and pressing *Enter*. The cell output reading will be on the second line of the display.



**Version      Self—Test****Cell Output: ###  $\mu$ A**

The “good” reading depends on the class of cell your analyzer is using.

Although the B-1 cell is standard in the 3000PB, **check *Specific Model Information in the Front Matter in this manual for the class of cell you purchased.*** Then check Table 5-1, the Cell Indices table below, and do the prescribed calculations. If the resulting value is below the Cell Output reading, replace the cell.

To find out if the cell is too weak:

1. Flow span gas through the analyzer, and allow time to purge.
2. With span gas flowing, read the raw output of the cell from the *System* function display.
3. Divide the raw output reading by the percent oxygen concentration of your span gas.

If the quotient is less than the Index value for the cell class you are using, replace the cell.

**Table 5-1: Cell Indices**

Cell Class	Index
A-3	1.818
A-5	1.818
B-1	4.545
B-3	3.716
B-5	1.244
B-7	1.515
C-3	2.488
C-5	0.606

### 5.3.3 Removing the Micro-Fuel Cell

The Micro-Fuel Cell is located inside the nylon cell block behind the inner door of the unit. (See Figure 5-1). To remove an existing cell:

1. Remove power to the instrument by unplugging the power cord at the power source.

2. Unlatch and open the outer and inner doors.
3. Leave the cell block installed. Pull up on the probe, with a slight rocking motion, to release it from the probe receptacle.
4. Do not remove the O-rings unless they are worn and no longer hold the probe tightly. (If worn, replace them.)

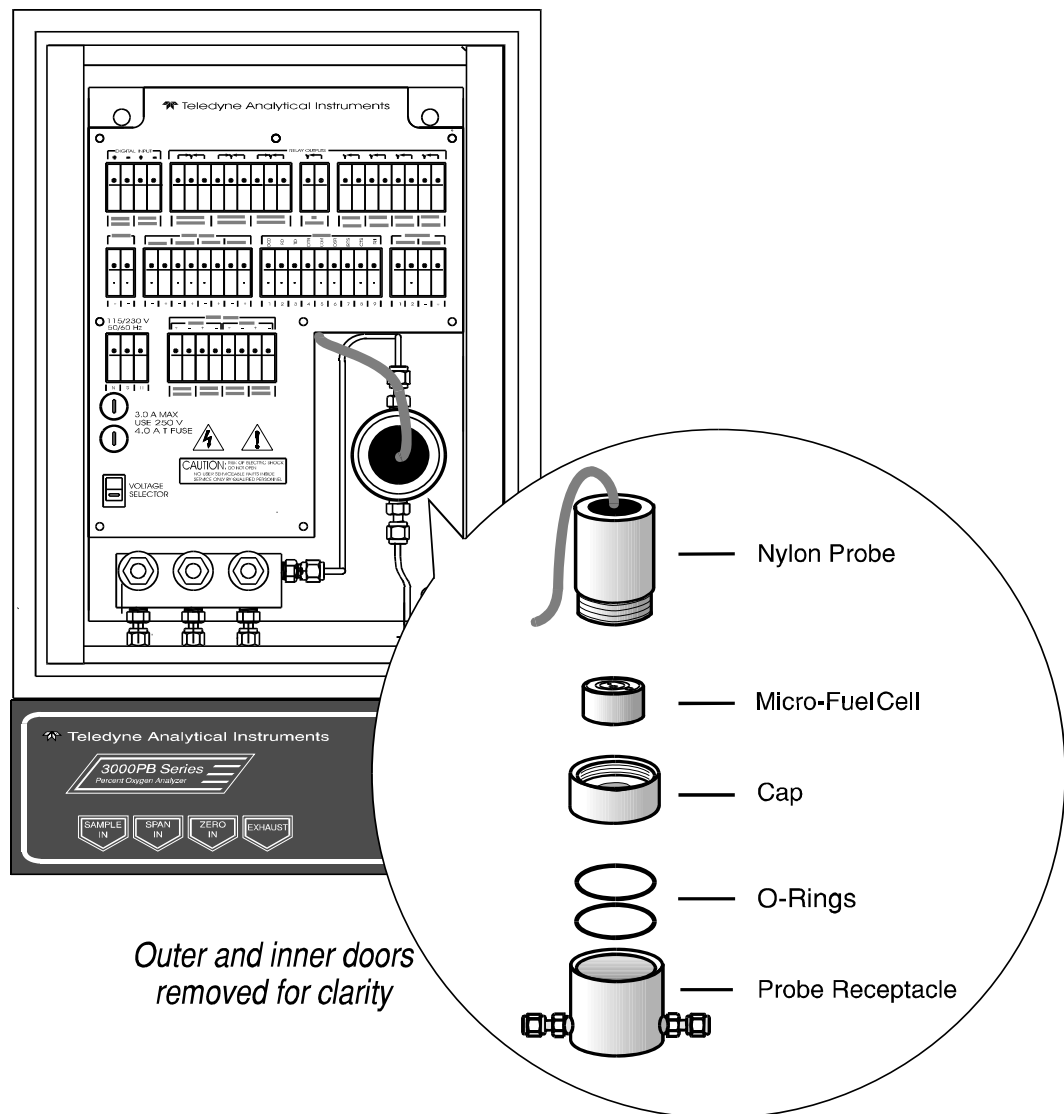


Figure 5-2: Exploded View of Cell Block and Micro-Fuel Cell

5. When it is free, unscrew the cap from the nylon probe. **Hold the probe vertically to prevent dropping the cell out of the probe.**

6. Remove the cell from the probe, and dispose of it in an environmentally safe manner.

### 5.3.4 Installing a New Micro-Fuel Cell

**CAUTION:** *Do not touch the sensing surface of the cell. It is covered with a delicate Teflon membrane that can leak when punctured. The sensor must be replaced if the membrane is damaged.*

Before installing a new cell, check the O-ring in the base of the cell holder. Replace if worn or damaged.

1. Place the Cell in the Probe with the sensing surface facing outward (toward the screen in the Cap).
2. Screw the Probe Cap onto the Probe until it stops.
3. With the O-rings in place, push the assembled Probe down into the Cell Holder—Cap Down—with a slight rocking motion until it is seated on the bottom of the holder. This forces the holder into position and forms a gas-tight seal.

### 5.3.5 Cell Warranty

The Class B-1 Micro-Fuel cell is standard in the Model 3000PB. This cell is a long life cell and is warranted for 6 months from the date of shipment. The customer should purchase only one spare cell (per section 5.3.1). Do not attempt to stockpile spare cells.

If any cell other than the B-1 is supplied with your instrument, check *Specific Model Information* in the front of this manual for any special information applying to your cell.

**Caution:** *The B-1 cell is not designed for applications where CO<sub>2</sub> is a major component in the sample, however slight amounts will not adversely effect the cell performance.*

If a cell was working satisfactorily, but ceases to function before the warranty period expires, the customer will receive credit toward the purchase of a new cell.

If you have a warranty claim, you must return the cell in question to the factory for evaluation. If it is determined that failure is due to faulty workmanship or material, the cell will be replaced at no cost to you.

**Note:** Evidence of damage due to tampering or mishandling will render the cell warranty null and void.

## 5.4 Fuse Replacement

The 3000PB requires two 5 × 20 mm, 4 A, T type (Slow Blow) fuses. The fuses are located inside the main housing on the Electrical Connector Panel, as shown in Figure 5-3. To replace a fuse:

1. Disconnect the Unit from its power source.
2. Place a small screwdriver in the notch in the fuse holder cap, push in, and rotate 1/4 turn. The cap will pop out a few millimeters. Pull out the fuse holder cap and fuse, as shown in Figure 5-3.

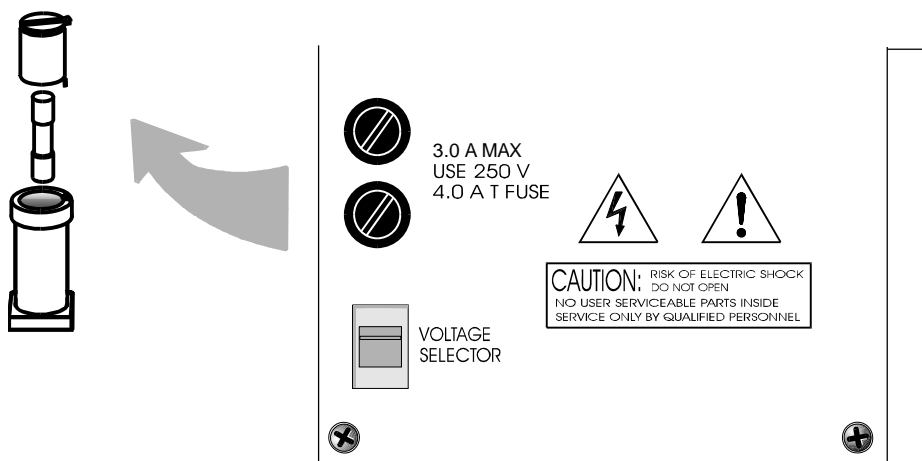


Figure 5-3: Removing Fuse Cap and Fuse from Holder

2. Replace fuse by reversing process in step 1.

## 5.5 System Self Diagnostic Test

1. Press the *System* button to enter the System function.
2. Use the arrow keys to move to *More*, and press *Enter*.
3. Use the arrow keys to move to *Self-Test*, and press *Enter*.

The screen will follow the running of the diagnostic.

**RUNNING DIAGNOSTIC**  
**Testing Preamp — 83**

---

During preamp testing there is a countdown in the lower right corner of the screen. When the testing is complete, the results are displayed.

**Power: OK    Analog: OK**  
**Preamp: 2**

The module is functioning properly if it is followed by OK. A number indicates a problem in a specific area of the instrument. Refer to Table 5-1 for number-code information. The results screen alternates for a time with:

**Press Any Key**  
**To Continue...**

The following failure codes apply:

**Table 5-1: Self Test Failure Codes**

**Power**

0	OK
1	5 V Failure
2	15 V Failure
3	Both Failed

**Analog**

0	OK
1	DAC A (0–1 V Concentration)
2	DAC B (0–1 V Range ID)
3	Both Failed

**Preamp**

0	OK
1	Zero too high
2	Amplifier output doesn't match test input
3	Both Failed

## 5.6 Troubleshooting

**Problem:**

Erratic readings of the Oxygen concentration as reported by the analyzer.

**Possible Cause:**

The analyzer may have been calibrated in an inaccurate fashion.

**Solution:**

Turn the analyzer off, then back on again. Press the System key when prompted by the analyzer "Press System for default Values". This will return the analyzer to its default settings in calibration and zero values. If erratic behavior continues replace the sensor.

**Possible Cause:**

Atmospheric Oxygen may be diffusing in through the vent and affecting the oxygen level which the sensor sees.

**Solution:**

Increase flow rate and/or length or vent tubing in order to dilute or minimize the diffusion of oxygen from the vent back to the sensor.

**Problem:**

Inaccurate zero operation (i.e. the user has zeroed the analyzer accidentally on gas much higher than one would normally use for a zero gas).

**Solution:**

Turn the analyzer off, then back on again. Press the System key when prompted by the analyzer "Press System for default Values". This will return the analyzer to its default settings in calibration and zero values. Now proceed to carefully calibrate and zero the analyzer.



---

## Appendix

---

### A-1 Specifications

**Packaging:** General Purpose, NEMA-4, Bulkhead mount.

**Sensor:** Class B-1 percent analysis Micro-Fuel Cell.

**Cell Block:** Nylon. (Stainless steel available.)

**Ranges:** Three user definable ranges from 0-1 % to 0-100 %, plus air calibration range of 0-25 %.

Autoranging with range ID output.

**Sample System:** Flow indicator visible from front of unit.

Positive pressure service.

Vacuum service (optional).

Auto Cal / Auto Zero. (Available with optional, electrically operated valves.)

**Alarms:** One system-failure alarm contact to detect power failure.

Two adjustable concentration threshold alarms with fully programmable setpoints.

**Diagnostics:** Start-up and on-demand, self testing function initiated by keyboard or remote command.

**Displays:** 2 line by 20 alphanumeric, VFD screen, and one 5 digit LED display.

**Digital Interface:** Full duplex RS-232 communications port.

**Power:** Universal power supply 110/220 VAC at 50/60 Hz

**Operating Temperature:** 0-50 °C



**Accuracy:**  $\pm 2\%$  of full scale at constant temperature.  
 $\pm 5\%$  of full scale over operating temperature range, on factory default analysis ranges, once thermal equilibrium has been achieved.

**Analog outputs:** 0-1 V dc percent-of-range  
0-1 V dc range ID.

**Optional:**

4-20 mA dc percent-of-range, isolated  
4-20 mA dc range ID, isolated

**Password Access:** Can be user-configured for password protection.

## A-2 Recommended 2-Year Spare Parts List

Qty	Part Number	Description
1	C62371B	Display PCB
1	D65295A	Customer Interface PCB
1	C62368-B	Percent Preamplifier Board
1*	C73870-C	Main PCB (Standard)
1*	C73870-B	Main PCB (4-20 mA option)
3	F1295	Fuse, 4A, 250V, 5×20 mm, T (Slow Blow)
2	O38	O-ring
1	C6689-B1	Micro-Fuel Cell (For options see **)

\* Order -B or -C, not both.

\*\* Check *Specific Model Information* in front matter of this manual for cell options.

**Note: Orders for replacement parts should include the part number (if available) and the model and serial number of the instrument for which the parts are intended.**

Orders should be sent to:

TELEDYNE ANALYTICAL INSTRUMENTS  
16830 Chestnut Street  
City of Industry, CA 91748

Phone (626) 934-1500, Fax (626) 961-2538  
TWX (910) 584-1887 TDYANYL COID

Web: [www.teledyne-ai.com](http://www.teledyne-ai.com)

or your local representative.

**A-3 Drawing List**

D66682 Final Assembly Drawing

D66674 Outline Drawing

D66675 Wiring Diagram

**NOTE:** The MSDS on this material is available upon request through the Teledyne Environmental, Health and Safety Coordinator. Contact at (626) 934-1592

## A-5

**3000 SERIES ANALYZERS  
APPLICATION NOTES ON RESTRICTORS,  
PRESSURES, AND FLOW RECOMMENDATIONS**

3000 series analyzers require reasonably regulated sample pressures. While the 3000 analyzers are not sensitive to variations of incoming pressure (provided they are properly vented to atmospheric pressure) The pressure must be maintained as to provide a useable flow rate through the analyzer. Any line attached to sample vent should be 1/4 or larger in diameter.

**FLOW RATE RECOMMENDATIONS:**

A usable flow rate for a 3000 series analyzer is one which can be measured on the flowmeter. This is basically .2 - 2.4 SLPM. The optimum flow rate is 1 SLPM (mid scale). Note: response time is dependent on flow rate, a low flow rate will result in slow response to O<sub>2</sub> changes in the sample stream. The span flow rate should be the approximately same as the sample flow rate.

**CELL PRESSURE CONCERNS:**

The sensors used in 3000 series analyzers are optimized to function at atmospheric pressure. At pressures other than atmospheric the diffusion rate of O<sub>2</sub> will be different than optimum value. Higher pressures will produce faster O<sub>2</sub> diffusion rates resulting in higher O<sub>2</sub> reading and shorter cell life. To use a 3000 series analyzer at a cell pressure other than atmospheric, the analyzer must be calibrated with a known calibration gas at the new cell pressure to adjust for the different diffusion rate. Cell pressures below 2/3 atmospheric are not recommended because as they tend to cause excessive internal expansion which may result in seal failure.

For operation at cell pressures other than atmospheric care must be taken not to change the sample pressure rapidly or cell damage may occur. For cell pressures above atmospheric, caution must be exercised to avoid over pressuring the cell holder. (percent analyzers will require some type of cell retainer to prevent the cell from being pushed out by the pressure.) For operation at pressures below atmospheric pressure a suffix C (clamped) cell is required.

**RESTRICTION DEVICES:**

For proper operation, all 3000 series analyzers require a flow restriction device. This device is typically a restrictor or a valve. This restriction device serves two functions in the sample path. The first function is to limit the flow rate of the sample through the analyzer. A restrictor is chosen to operate over a range of pressures and provide a useable flow rate over that range.

---

The second function that the restriction device provides is a pressure drop. This device is selected to provide the only significant pressure drop in the sample path.

### RESTRICTOR KIT

The current revision of the 3000 series analyzers are supplied with a kit containing two restrictors and a union which are user installed. These parts supplied to give the end user more flexibility when installing the analyzer. The restrictor kit is suitable for high and low positive pressure applications as well as vacuum service (atmospheric pressure sample) applications (see manual for installation instructions). The standard restrictor (BLUE DOT) is recommended for pressures between 5 PSIG and 50 PSIG. For positive low pressure application (5 psig or less) the un-marked restrictor is better suited. For non-pressurized sample applications the marked restrictor should be used and configured for vacuum service. Note: for extremely low positive pressure applications (less than 2 psig) the vacuum service configuration should provide higher performance (higher flow rates). For vacuum service the end user must supply a vacuum pump and a by-pass valve for the pump. A vacuum level of 5-10 inches of mercury should provide the optimum flow rate. **CAUTION: flow restrictors have very small orifices and may be plugged by small particles (.005" dia or larger) A sample filter must be included in the sample line prior to the restrictor! (a 60 micron filter is recommended)**

### 3000PB EXAMPLES:

Example 1, with an incoming pressure of 10 psig the std restrictor (blue dot) will provide a flow rate of .76 SLPM. Up-stream of the restrictor the sample line pressure will be 10 psig, while down stream (including the cell) the pressure will be at atmospheric pressure. (analyzer vented to atmospheric pressure) Note, all other pressure drops in the sample path are insignificant at these flow rates. This insures that the cell operates at atmospheric pressure. At very high flow rates (off scale of flow-meter), pressure drops other than the restriction device could become significant, and result in pressurizing the cell.

Example 2, A 3000PB is configured for vacuum service as follows. The un-marked restrictor is placed in the sample vent port. The down stream end of the restrictor is then connected to a vacuum pump and by-pass valve. The by-pass valve is adjusted to provide a flow rate of 1 SLPM. The sample pressure between the pump and the restrictor will be approximately -7 inches of mercury, while the pressure in the balance of the sample system including the cell will be approximately at atmospheric pressure. (provided the sample flow into the analyzer is not blocked.)

**BY-PASS:**

To improve the system response, a by-pass can be added to increase the sample flow rate to the analyzer by a factor of ten. A by-pass provides a sample flow path around the analyzer of 2 - 18 SCFH. typically.

**CALIBRATION GAS:**

3000 series analyzer requirements for units with Auto-Cal options. The customer must supply a control valves (or restrictors) for any SPAN or ZERO gas source which is attached to the Auto-Cal ports. The valve should be adjusted to the same flow rate as the sample gas. When restrictors are used, the gas pressure must be adjusted to achieve the proper flow rate.

**OPERATION WITHOUT A RESTRICTOR DEVICE:**

Operation without a restrictor device is not recommend as mentioned above. A 3000PB without any flow restrictor device was tested on 11-19-97. This results in a flow rate of 2.4 SLPM @ 1 PSIG. This is a cv of 0.023 for the standard sample sys.

REFERENCE: FLOW\_1.XLS & FLOW\_2.XLS for information on flow rates at various pressures.

**TAI PART NUMBERS**

RESTRICTOR KIT:	A68729	
UNION (SS)	U11	
LP.RESTRICTOR	R2323	(LOW PRESSURE / VAC. SERVICE)
STD..RESTRICTOR	R2324	BLUE DOT
NUT	N73	
FERRULE	F73	
FERRULE	F74	BOTH FERRULES ARE REQUIRED

**CONVERSIONS:**

1 PSI	=	2.04 INCHES OF MERCURY (in. Hg.)
1 SCFH	=	0.476 SLPM

## A-6 Zero Cal

The **Zero** button on the control panel is used to enter the zero calibration function. Zero calibration can be performed in either the automatic or manual mode. In the **automatic** mode, an internal algorithm compares consecutive readings from the sensor to determine when the output is within the acceptable range for zero. In the **manual** mode, the operator determines when the reading is within the acceptable range for zero. Make sure the zero gas is connected to the instrument.

### Auto Mode Zeroing

Press **Zero** to enter the zero function mode. The screen allows you to select whether the zero calibration is to be performed automatically or manually. Use the  $\Delta\nabla$  arrow keys to toggle between **AUTO** and **MAN** zero settling. Stop when **AUTO** appears, blinking, on the display.

**Zero: Settling: AUTO**  
**<ENT> To Begin**

Press *Enter* to begin zeroing.

#### % Zero  
 Slope=#### ppm/s

The beginning zero level is shown in the upper left corner of the display. As the zero reading settles, the screen displays and updates information on **Slope** (unless the Slope starts within the acceptable zero range and does not need to settle further).

Then, and whenever Slope is less than 0.08 for at least 3 minutes, instead of Slope you will see a countdown: **1 Left**, **0 Left**, and so forth. These are five steps in the zeroing process that the system must complete, **AFTER** settling, before it can go back to *Analyze*.

#### % Zero  
**1 Left=###** ppm/s

The zeroing process will automatically conclude when the output is within the acceptable range for a good zero. Then the analyzer automatically returns to the *Analyze* mode.

### Manual Mode Zeroing

Press **Zero** to enter the **Zero** function. The screen that appears allows you to select between automatic or manual zero calibration. Use the  $\Delta\nabla$  keys

---

to toggle between AUTO and MAN zero settling. Stop when MAN appears, blinking, on the display.

**Zero: Settling: Man**  
**<ENT> To Begin**

Press *Enter* to begin the zero calibration. After a few seconds the first of five zeroing screens appears. The number in the upper left hand corner is the first-stage zero offset. The microprocessor samples the output at a predetermined rate. It calculates the differences between successive samplings and displays the rate of change as Slope= a value in parts per million per second (ppm/s).

#### % Zero  
Slope=#### ppm/s

**NOTE: It takes several seconds for the true Slope value to display. Wait about 10 seconds. Then, wait until Slope is sufficiently close to zero before pressing *Enter* to finish zeroing .**

Generally, you have a good zero when Slope is less than 0.05 ppm/s for about 30 seconds. When Slope is close enough to zero, press *Enter*. In a few seconds, the screen will update.

Once span settling completes, the information is stored in the microprocessor, and the instrument automatically returns to the *Analyze* mode.





## A-4 Material Safety Data Sheet

### Section I – Product Identification

**Product Name:** Micro-Fuel Cells and Super Cells, all classes except A-2C, A-3, and A-5.

Electrochemical Oxygen Sensors, all classes except R-19.

Mini-Micro-Fuel Cells, all classes.

**Manufacturer:** TELEDYNE Analytical Instruments

**Address:** 16830 Chestnut Street  
City of Industry, CA 91749-1580

**Phone:** (818) 961-9221

**Customer Service:** Extension 222

**Environmental Health and Safety:** Extension 230

**Customer Service 24 Hr Emergency:** 1-800-759-7243 (Pager)

**Date Prepared :** 04/26/95

### Section II – Hazardous Ingredients/Composition

Material or Component TLV	C.A.S. #	Quantity	OSHA PEL	ACGIH
Lead (Pb)	7439-92-1	3–20 gms	0.05 mg/m <sup>3</sup>	0.15 mg/m <sup>3</sup>
Potassium Hydroxide Solution 15% (KOH)	1310-58-3	1–5 ml	None	2 mg/m <sup>3</sup>

### Section III – Physical/Chemical Characteristics

Material Appearance or Component	Boiling Point (°C)	Specific Gravity	Vapor Pressure	Melting Point (°C)	Density	Evap. Rate	Solubility in Water	Odor
Lead	1744	11.34	na	328	na	na	Insoluble	Solid, silver gray, odorless
Potassium Hydroxide	1320	2.04	na	360	na	na	Complete	White or slightly yellow, no odor

### Section IV – Fire and Explosion Hazard Data

**Flash Point:** na    **Flammable Limits:** na    **LEL:** na    **UEL:** na

**Extinguishing Media:** Use extinguishing media appropriate to surrounding fire conditions. No specific agents recommended.

**Special Fire Fighting Equipment:** Wear NIOSH/OSHA approved self-contained breathing apparatus and protective clothing to prevent contact with skin and eyes.

**Unusual Fire and Explosion Hazards:** Emits toxic fumes under fire conditions.

### Section V – Reactivity Data

**Stability:** Stable

**Incompatibilities:** Aluminum, organic materials, acid chlorides, acid anhydrides, magnesium, copper. Avoid contact with acids and hydrogen peroxide > 52%.

**Hazardous Decomposition of Byproducts:** Toxic fumes

**Hazardous Polymerization:** Will not occur.

**Conditions to Avoid:**

### Section VI – Health Hazard Data

**Routes of Entry:**    **Inhalation:** Highly unlikely

**Ingestion:** May be fatal if swallowed.

**Skin:** The electrolyte (potassium hydroxide) is corrosive; skin contact may cause irritation or chemical burns.

**Eyes:** The electrolyte (potassium hydroxide) is corrosive; eye contact may cause irritation or severe chemical burns.

**Acute Effects:** The electrolyte is harmful if swallowed, inhaled or adsorbed through the skin. It is extremely destructive to tissue of the mucous membranes, stomach, mouth, upper respiratory tract, eyes and skin.

**Chronic Effects:** Prolonged exposure with the electrolyte has a destructive effect on tissue.

Chronic exposure to lead may cause disease of the blood and blood forming organs, kidneys and liver, damage to the reproductive systems and decrease in fertility in men and women, and damage to the fetus of a pregnant woman. Chronic exposure from the lead contained in this product is extremely unlikely.

<b>Signs and Symptoms of Exposure:</b>	Contact of electrolyte with skin or eyes will cause a burning sensation and/or feel soapy or slippery to touch.  Other symptoms of exposure to lead include loss of sleep, loss of appetite, metallic taste and fatigue.
<b>Carcinogenicity:</b>	Lead is classified by the IARC as a class 2B carcinogen (possibly carcinogenic to humans)
<b>OSHA:</b>	Where airborne lead exposures exceed the OSHA action level, refer to <i>OSHA Lead Standard 1910.1025</i> .
<b>NTP:</b>	na
<b>Medical Conditions Generally Aggravated by Exposure:</b>	Lead exposure may aggravate disease of the blood and blood forming organs, hypertension, kidneys, nervous and possibly reproductive systems. Those with preexisting skin disorders or eye problems may be more susceptible to the effects of the electrolyte.
<b>Emergency First Aid Procedures:</b>	In case of contact with the skin or eyes, immediately flush with plenty of water for at least 15 minutes and remove all contaminated clothing. Get medical attention immediately.  If ingested, give large amounts of water and DO NOT INDUCE VOMITING. Obtain medical attention immediately.  If inhaled, remove to fresh air and obtain medical attention immediately.

## Section VII – Precautions for Safe Handling and Use

**NOTE: The oxygen sensors are sealed, and under normal circumstances, the contents of the sensors do not present a health hazard. The following information is given as a guide in the event that a cell leaks.**

<b>Protective measures during cell replacement:</b>	Before opening the bag containing the sensor cell, check the sensor cell for leakage. If the sensor cell leaks, do not open the bag. If there is liquid around the cell while in the instrument, wear eye and hand protection.
<b>Cleanup Procedures:</b>	Wipe down the area several times with a wet paper towel. Use a fresh towel each time. Contaminated paper towels are considered hazardous waste.

### Section VIII – Control Measures

<b>Eye Protection:</b>	Chemical splash goggles
<b>Hand Protection:</b>	Rubber gloves
<b>Other Protective Clothing:</b>	Apron, face shield
<b>Ventilation:</b>	na

### Section IX – Disposal

Both lead and potassium hydroxide are considered poisonous substances and are regulated under TSCA and SARA Title III.

EPA Waste Number:	D008
California Waste Number:	181
DOT Information:	RQ Hazardous Waste Solid N.O.S. (Lead) Class 9 NA3077 PG III
	Follow all Federal, State and Local regulations.

### Section X – References

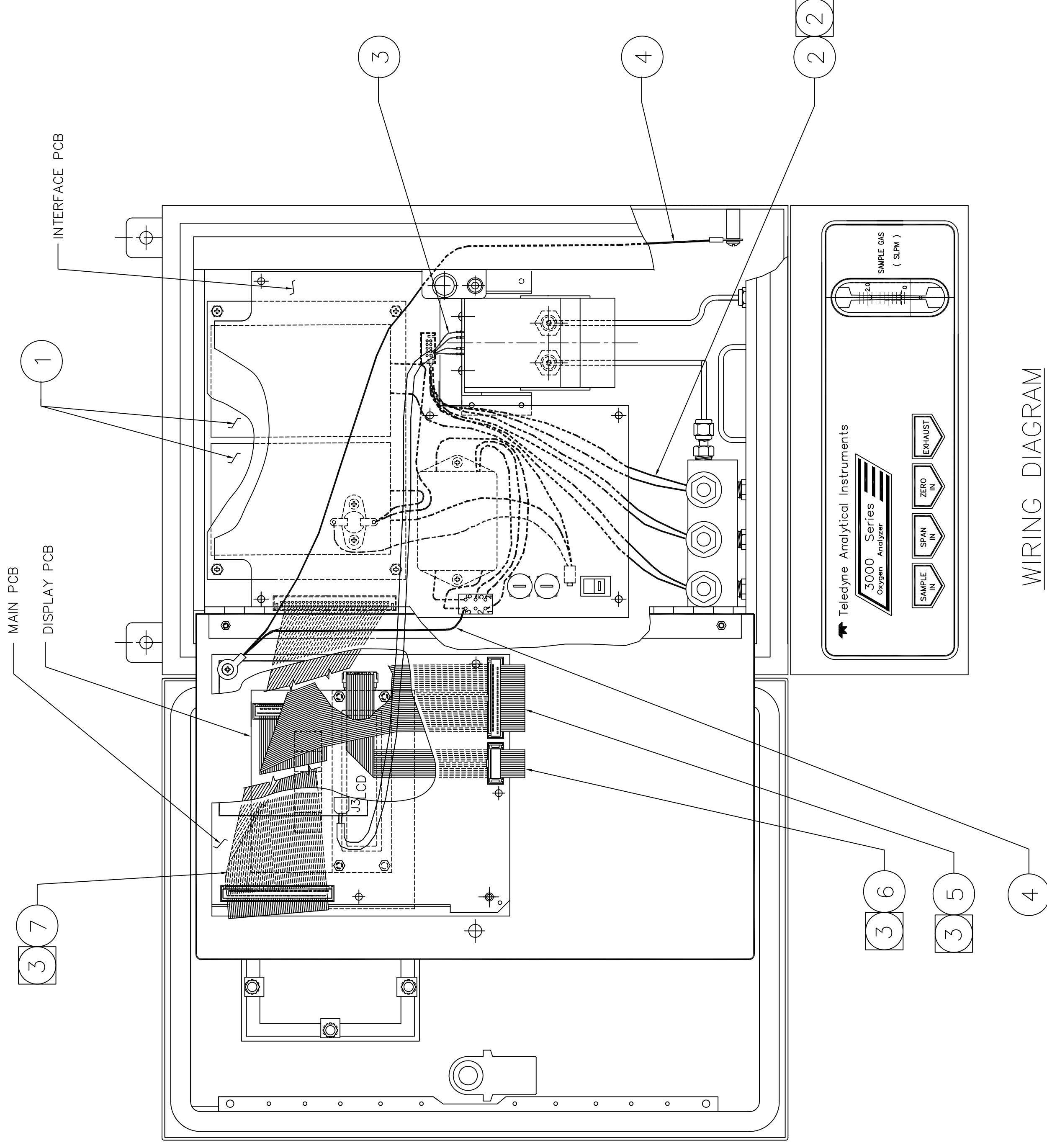
Material Safety Data Sheets from J.T. Baker Chemical, Aldrich, Malinkrodt, ASARCO  
U.S. Department of Labor form OMB No. 1218-0072  
Title 8 California Code of Regulations  
TSCA  
SARA Title III  
CFR 49  
CFR 29  
CFR 40

**NOTE: The above information is believed to be correct and is offered for your information, consideration, and investigation. It should be used as a guide. Teledyne Brown Engineering Analytical Instruments shall not be held liable for any damage resulting from handling or from contact with the above product.**

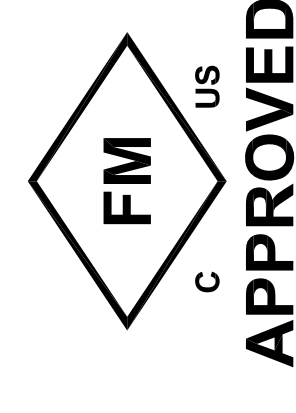


NOTES: UNLESS OTHERWISE SPECIFIED.

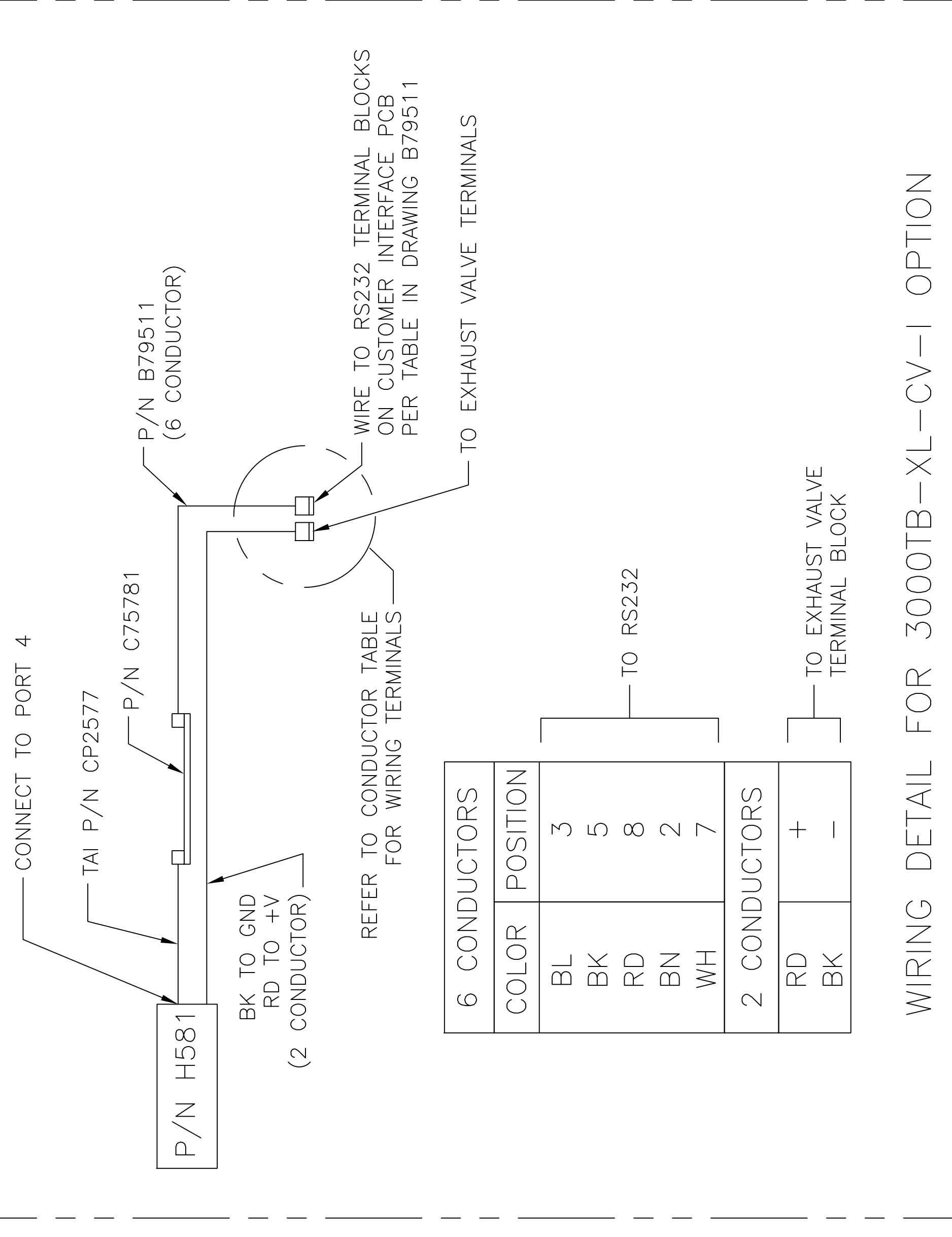
- 1 ITEM 2 IS FOR CONTROL VALVE OPTION ONLY.
- 2 ITEM 5 (35 PIN RIBBON CABLE), 6 (14 PIN RIBBON CABLE) & 7 (60 PIN RIBBON CABLE) TO BE ROUTED BETWEEN ISOLATION SHEET (P/N B66878) AND PCB MOUNTING BRACKET (P/N B66678).
- 4 TRY TO KEEP WIRING AWAY FROM HEAT SINKS.



WIRING DIAGRAM  
DOOR OPENED



REV	DESCRIPTION	DATE	APP.	REV. BY
1	INC. ECO# 97-0221	3-25-97	R.N.	VF
2	INC. ECO# 99-0007	1/26/99	A.A.	M.V.
3	INC. ECO 07-0039	1/29/07	AA	VF



6 CONDUCTORS	
COLOR	POSITION
BL	3
BK	5
RD	8
BN	2
WH	7

2 CONDUCTORS	
COLOR	POSITION
RD	+
BK	-

WIRING DETAIL FOR 3000TB-XL-CV-I OPTION

ITEM	QTY	PART NO.	DESCRIPTION
7	REF	B-66876	RIBBON CABLE ASSY (MAIN PCB - CUSTOMER INTERFACE PCB)
6	REF	B-66828	RIBBON CABLE ASSY (MAIN PCB - LCD PCB)
5	REF	B-66829	RIBBON CABLE ASSY (MAIN PCB - DISPLAY PCB)
4	REF	B-66877	EMI FILTER & GROUNDING WIRING ASSY
3	REF	B-65917	WIRING ASSY (SENSOR BLOCK - PREAMP PCB)
2	REF	B-65915	WIRING ASSY (CONTROL VALVES - CUSTOMER INTERFACE PCB)
1	REF	B-67446	WIRING ASSY (HEATER TO CUSTOMER INTERFACE PCB)

BILL OF MATERIAL	
DO NOT SCALE DWG	THIS DRAWING IS THE PROPERTY OF TELEDYNE INSTRUMENTS AND CONTAINS CONFIDENTIAL INFORMATION. IT IS NOT TO BE COPIED, REPRODUCED OR USED WITHOUT WRITER'S PERMISSION.
TOLERANCE UNLESS OTHERWISE SPECIFIED: ANGULAR ±1/2°	TELEDYNE INSTRUMENTS
LINEAR .XX = ±.02	Analytical Instruments
.XXX = ±.010	A Teledyne Technologies Company
	CITY OF INDUSTRY, CALIFORNIA 91748
SIGNATURES	DATE
DRAFT: BILL TARNIG	6-26-96
CHK:	
APPR: B. TARNIG	7-29-96
ENGR: WILLIAM TARNIG	
C.O.	
F/ D-66673	
REFERENCE	CAD ID: D66675-3
TITLE	
WIRING DIAGRAM	
OXYGEN ANALYZER	
MODEL 3000TB/PB	
SCALE	1/2
SIM	----
SHEET	1 OF 1
REV.	3
DWG. NO.	D-66675
MATL.	- LISTED -

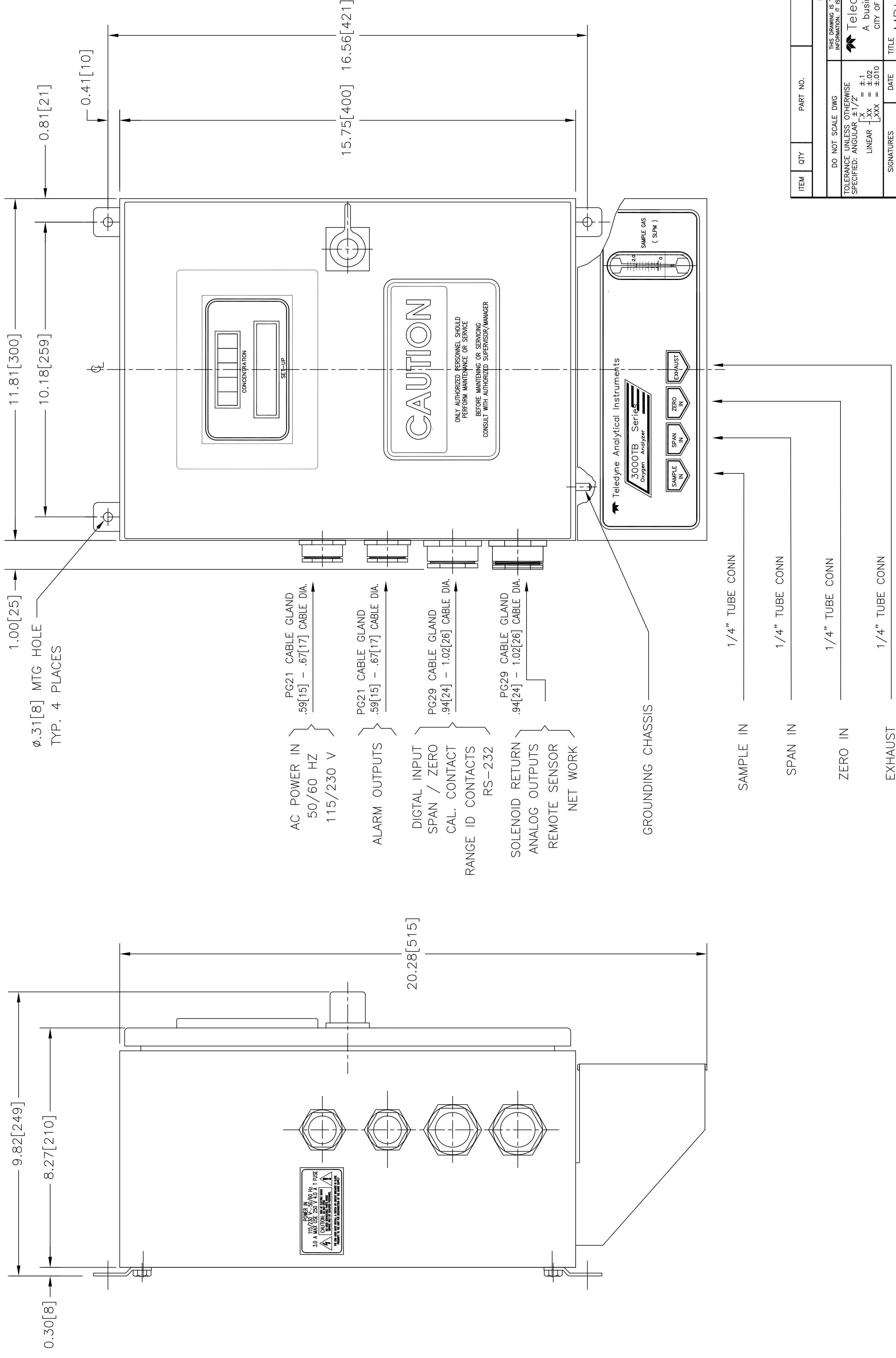




NOTES: UNLESS OTHERWISE SPECIFIED.

- 1 INTERCONNECTION DIAGRAM: DWG# D-66677
- 2 WIRING DIAGRAM ASSEMBLY: DWG D-66675  
TRACE SERIES: DWG D-66826  
PERCENT SERIES: DWG D-66826
- 3 FINAL ASSEMBLY:  
TRACE SERIES: DWG D-66673  
PERCENT SERIES: DWG D-66882

4. (a). UNIT: INCHES[mm]  
(b). ALL DIMENSIONS IN INCHES (±.06) AND MILLIMETERS (±1.)



REV	DESCRIPTION	DATE	APP.	REV.
0	ECO# 96-550	7-29-96	B.T.	BT

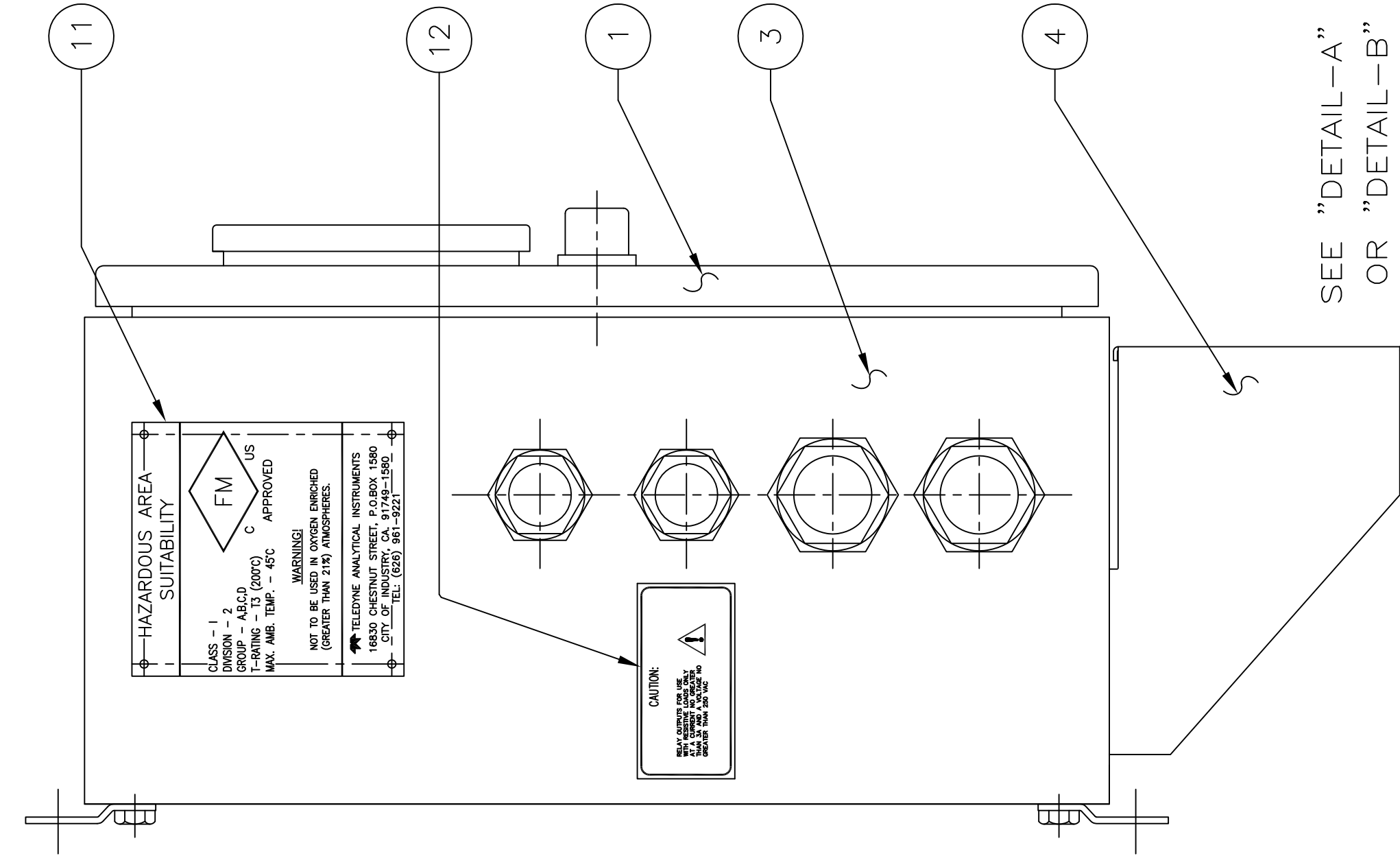
ITEM	QTY	PART NO.	DESCRIPTION
BILL OF MATERIAL			
DO NOT SCALE DWG. THIS DRAWING IS THE PROPERTY OF TELEDYNE ANALYTICAL INSTRUMENTS AND CONTAINS CONFIDENTIAL INFORMATION. IT IS NOT TO BE COPIED, REPRODUCED OR USED WITHOUT WRITTEN PERMISSION.			
TOLERANCE UNLESS OTHERWISE SPECIFIED: ANGULAR ±1/2°			
LINEAR ±.01			
ANGULAR ±.1			
LINEAR ±.02			
ANGULAR ±.010			
SIGNATURES			
DRAFT: BILL TARRNG	DATE	06-03-96	
CHK:			
APPR: WILLIAM TARRNG			
ENGR: WILLIAM TARRNG			
S.O.			
REFERENCE:	CAD ID: D66674-0		
		DWG. NO. D-66674	
			REV. 0

SCALE	TITLE
1/2	MDL 3000TB / 3000PB
SIM	OXYGEN ANALYZER
1 OF 1	OUTLINE DIAGRAM
REV.	

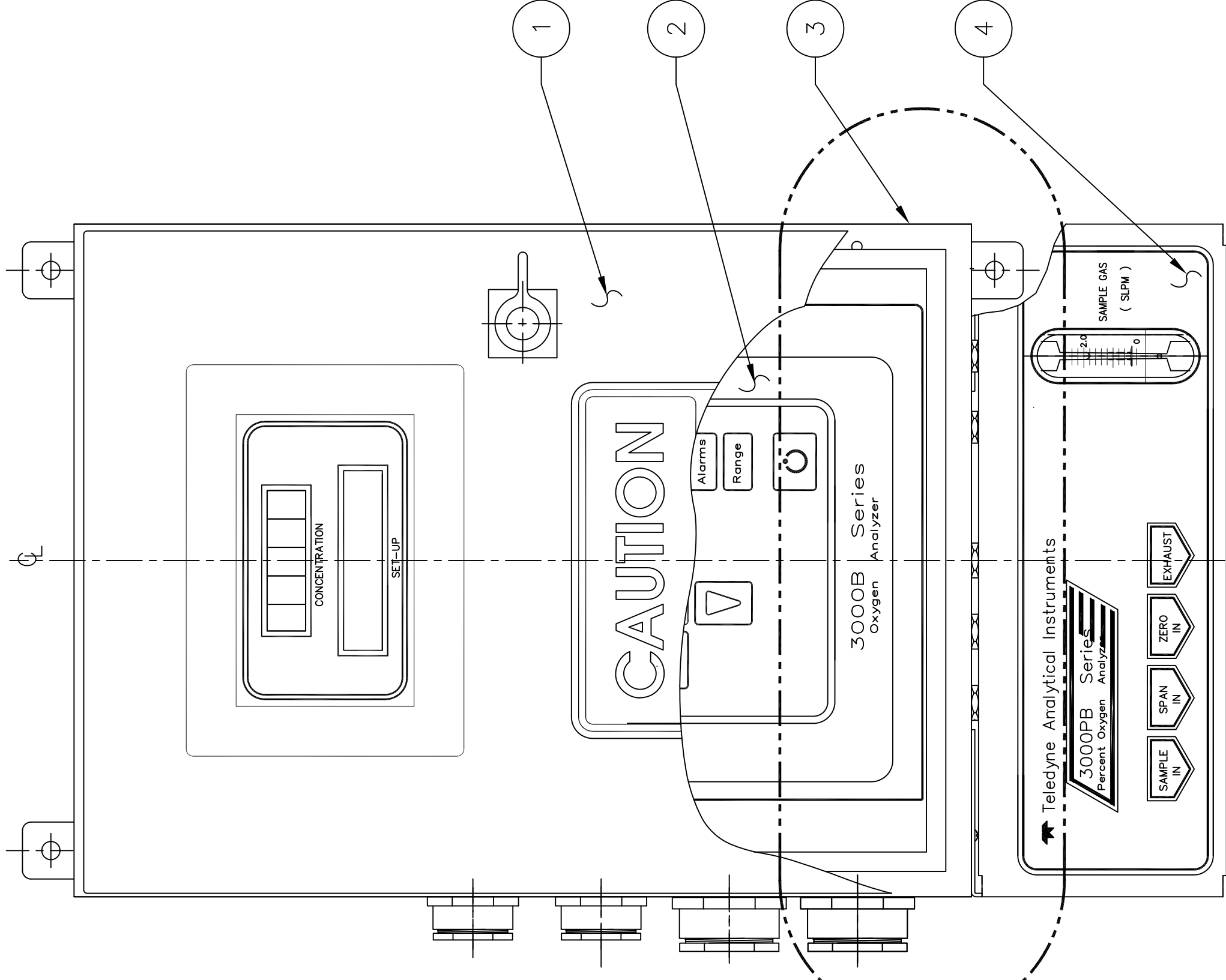
ITEM	QTY	PART NO.	DESCRIPTION
BILL OF MATERIAL			
DO NOT SCALE DWG. THIS DRAWING IS THE PROPERTY OF TELEDYNE ANALYTICAL INSTRUMENTS AND CONTAINS CONFIDENTIAL INFORMATION. IT IS NOT TO BE COPIED, REPRODUCED OR USED WITHOUT WRITTEN PERMISSION.			
TOLERANCE UNLESS OTHERWISE SPECIFIED: ANGULAR ±1/2°			
LINEAR ±.01			
ANGULAR ±.1			
LINEAR ±.02			
ANGULAR ±.010			
SIGNATURES			
DRAFT: BILL TARRNG	DATE	06-03-96	
CHK:			
APPR: WILLIAM TARRNG			
ENGR: WILLIAM TARRNG			
S.O.			
REFERENCE:	CAD ID: D66674-0		
		DWG. NO. D-66674	
			REV. 0



NOTES: UNLESS OTHERWISE SPECIFIED.

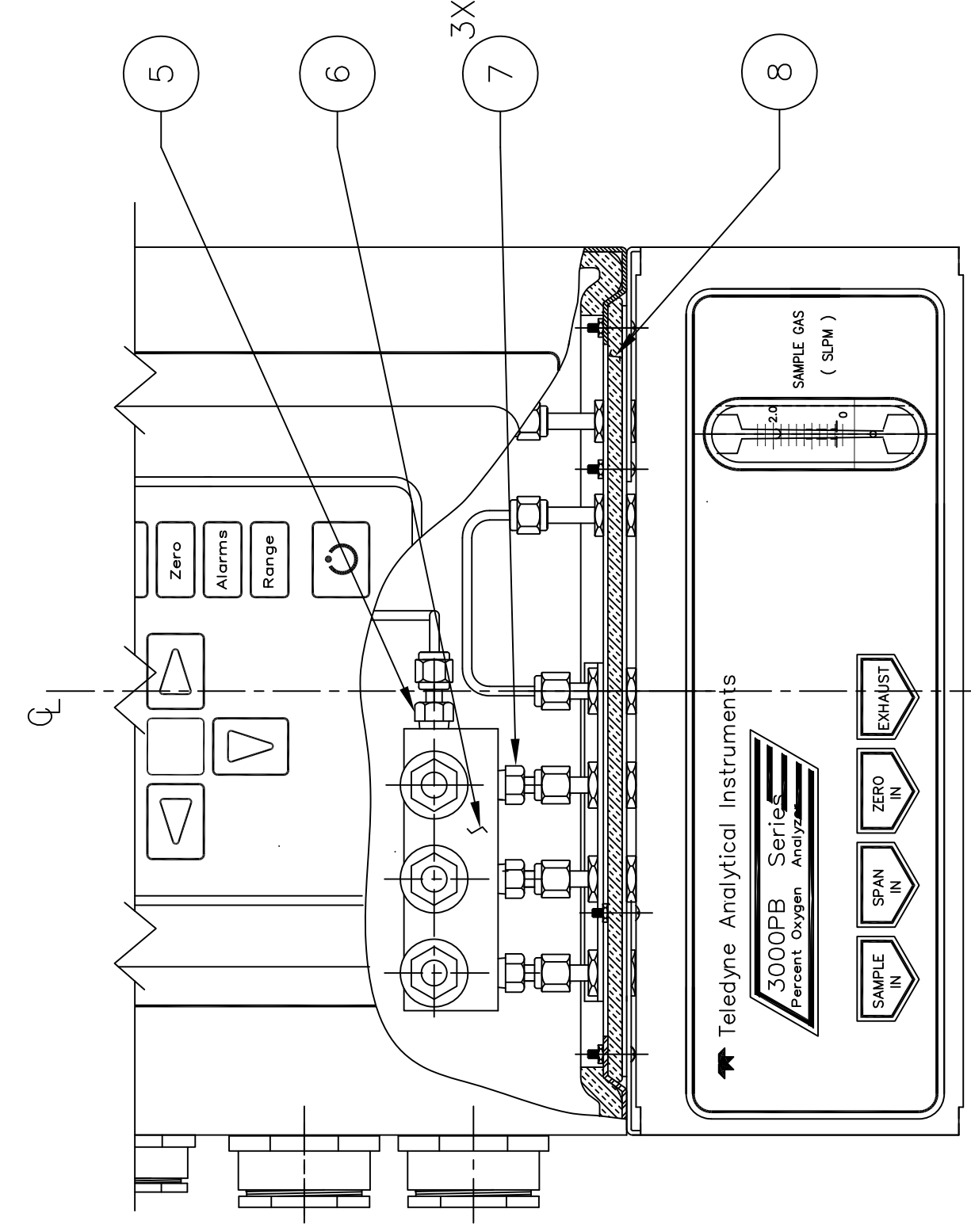


SEE "DETAIL-A"  
OR "DETAIL-B"

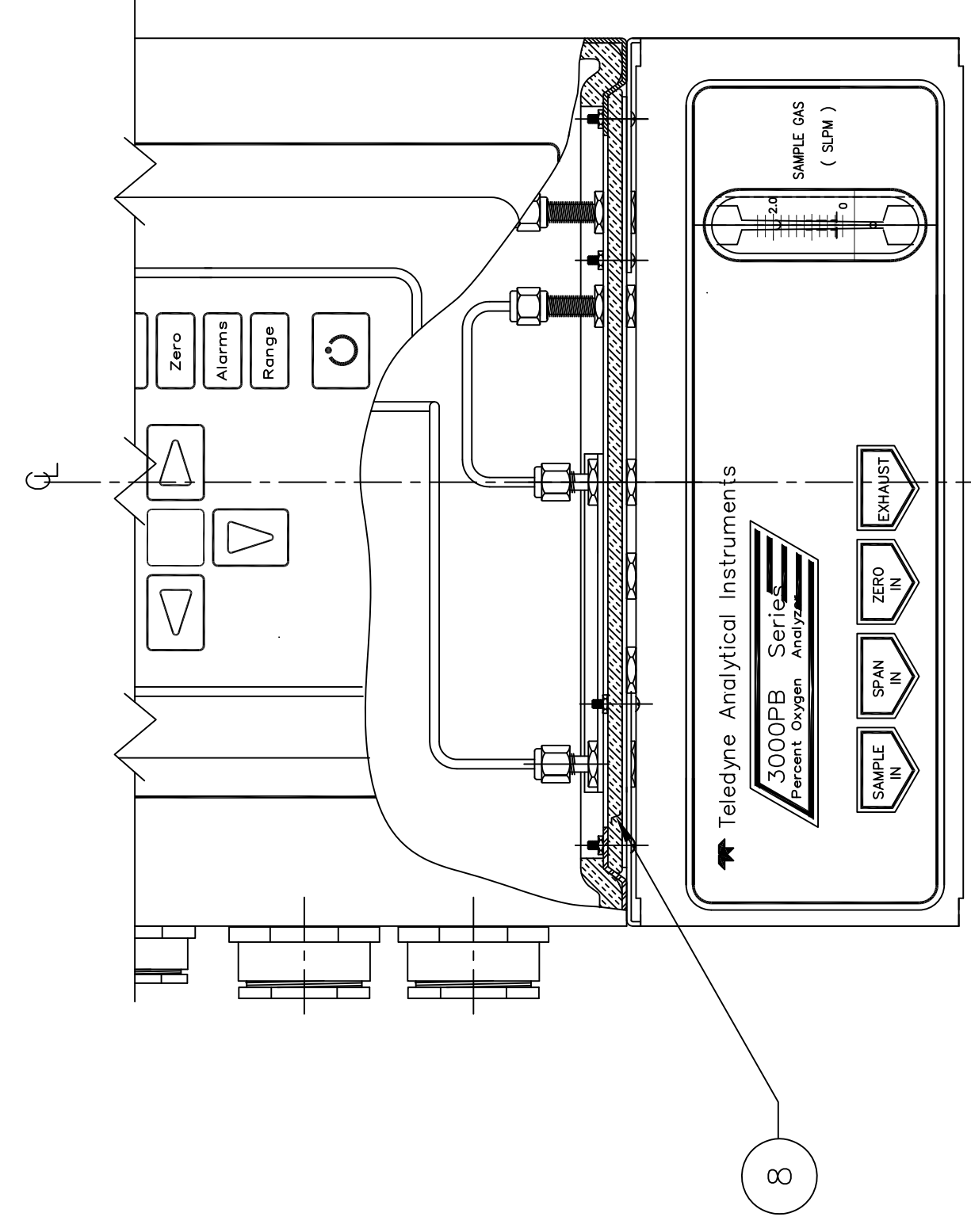


3000PB-CV-NL  
3000PB-CV-MA-NL

3000PB-SS  
3000PB-MA-SS

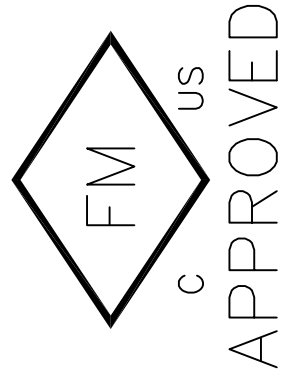


DETAIL-A



DETAIL-B

- NOTES: UNLESS OTHERWISE SPECIFIED
- TOTAL INSTRUMENT WEIGHT: 37 LBS
  - ELEC. WIRING DIAGRAM: D-66826
  - INTERCONNECTION & PIPING DIAGRAM: D-66677
  - OUTLINE DIAGRAM: D-66674
- ⑤ ITEM NOT SHOWN



LEGEND

SYMBOL	FUNCTION	MODULE NO.
A	3000PB-NL	3000
B	3000PB-CV-NL	PB
C	3000PB-MA-NL	CV
D	3000PB-SS	MA
E	3000PB-CV-SS	NL
F	3000PB-MA-SS	SS
G	3000PB-CV-MA-SS	
H	3000PB-MA-SS	
I	3000PB-CV-SS	
J	3000PB-MA-SS	
K	3000PB-CV-SS	
L	3000PB-MA-SS	
M	3000PB-CV-MA-SS	
N	3000PB-MA-SS	
O	3000PB-CV-MA-SS	
P	3000PB-MA-SS	

OPTION LIST

OPTION ITEM NO.	QUANTITY													PART NO.	DESCRIPTION			
	A	B	C	D	E	F	G	H	I	J	K	L	M			N	O	P
1	1	1	1	1	1	1	1	1	1	1	1	1	1	1	1	1	C-66740	MAIN DOOR SUB-ASSY
2	1	1	1	1	1	1	1	1	1	1	1	1	1	1	1	1	D-66679B D-66679C	SWING-OUT DOOR & PCB SUB-ASSY
3	1	1	1	1	1	1	1	1	1	1	1	1	1	1	1	1	D-66874A D-66874B D-66874C D-66874D	BOX SUB-ASSY
4	1	1	1	1	1	1	1	1	1	1	1	1	1	1	1	1	D-66689C D-666881C	GAS PANEL SUB-ASSY
5	1	1	1	1	1	1	1	1	1	1	1	1	1	1	1	1	C64	CONNECTOR, 1/8T X 1/8NPT
6	1	1	1	1	1	1	1	1	1	1	1	1	1	1	1	1	B65915	FLOW MANIFOLD SUB-ASSY
7	3	3	3	3	3	3	3	3	3	3	3	3	3	3	3	3	A318	MAL ADAPTER, 1/8T X 1/8NPT
8	1	1	1	1	1	1	1	1	1	1	1	1	1	1	1	1	-----	GASKET (A PART OF RITRAL BOX, TAIL# P/N E598)
9	REF	REF	REF	REF	REF	REF	REF	REF	REF	REF	REF	REF	REF	REF	REF	REF	D66682-RS	ROUTE SHEET
10	1	1	1	1	1	1	1	1	1	1	1	1	1	1	1	1	A-68729	RESTRICTOR KIT
11	1	1	1	1	1	1	1	1	1	1	1	1	1	1	1	1	B-78806	LABEL, FMC
12	1	1	1	1	1	1	1	1	1	1	1	1	1	1	1	1	A-72032	LABEL, CAUTION

PERCENT EDITION

ITEM	QTY	PART NO.	DESCRIPTION
BILL OF MATERIAL			
DO NOT SCALE DWG IT IS NOT TO BE COPIED, REPRODUCED OR USED WITHOUT WRITER'S PERMISSION.			
TELEDYNE INSTRUMENTS Analytical Instruments A Teledyne Technologies Company CITY OF INDUSTRY, CALIFORNIA 91748			
SIGNATURES		DATE	TITLE
DRFT: B.T.		7/2/96	SCALE 1/2
CHK: D-66677			SIM
APP: D-66674			SHEET 1 OF 1
ENGR: P/			REV. 5
C.O. F/			DWG NO. D-66682
REFERENCE CAD ID: D6682-5			LISTED

REV.	DESCRIPTION	DATE	APP.	REV. BY
4	INC ECO 01-0242	8/13/01	AA	VF
5	INC ECO 06-0067	4/4/06	AA	VF