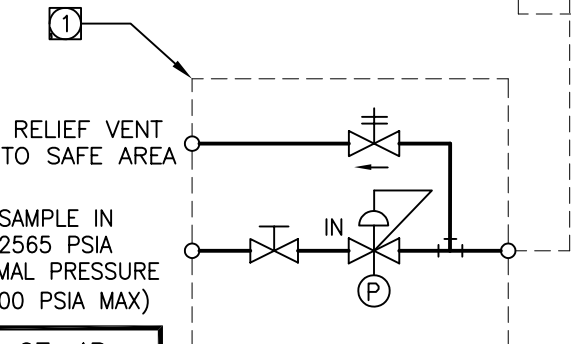
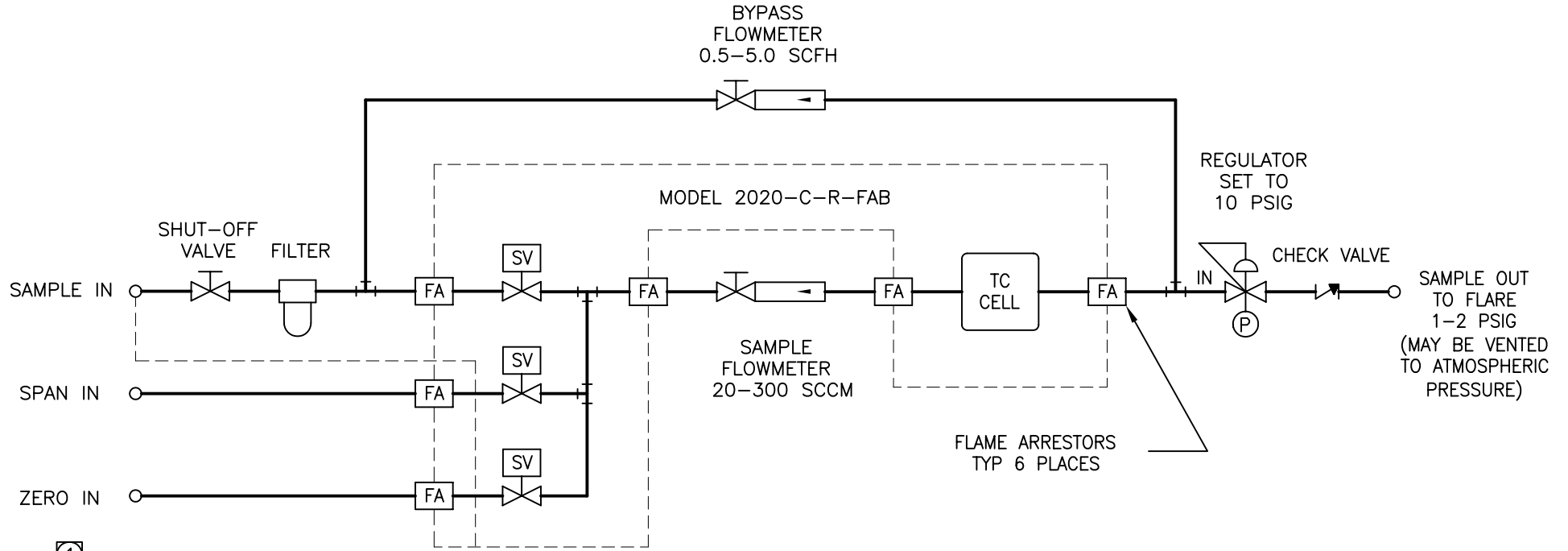


NOTES: UNLESS OTHERWISE SPECIFIED.

① FOR PRESSURE REDUCING UNIT OUTLINE DIAGRAM, SEE B-71572. SET REGULATOR TO 20 PSIG. SET RELIEF VALVE TO 30 PSIG.

REVISIONS				
REV	DESCRIPTION	DATE	APP.	REV. BY
0	INITIAL RELEASE	1/25/00	RKJ	--
1	ADDED CUSTOMER NOTES	3/23/00	RKJ	RKJ
2	CHANGED PER CUSTOMER REQUEST	5-16-00	RKJ	RKJ



AT-07-4B
AT-07-4A
TAG NO.

ITEM	QTY	PART No.	DESCRIPTION
BILL OF MATERIAL			
DO NOT SCALE DWG		THIS DRAWING IS THE PROPERTY OF TELEDYNE INSTRUMENTS AND CONTAINS CONFIDENTIAL INFORMATION. IT IS NOT TO BE COPIED, REPRODUCED OR USED WITHOUT WRITTEN PERMISSION.	
TOLERANCE UNLESS OTHERWISE SPECIFIED: ANGULAR $\pm 1/2^\circ$		TELEDYNE INSTRUMENTS <i>Analytical Instruments</i> A Teledyne Technologies Company City of Industry, California, 91748, USA	
(.X) = $\pm .1$			
(.XX) = $\pm .02$			
(.XXX) = $\pm .010$			
S/	SIGNATURES		DATE
N/	DRFT: K. JOHNS		1/17/00
I/	CHK:		
P/	APPR:		
O/ D-71567	ENGR: KIM JOHNS		
F/ D-71568	C.O.: 12009		
REFERENCE	CAD I.D. B71566-0		
TITLE			SCALE NONE
MODEL 200 ANALYZER SAMPLE SYSTEM PIPING DIAGRAM			SIM B-71205
			SHEET 1 OF 1
MATL. NONE		DWG NO.	REV
		B-71566	2