

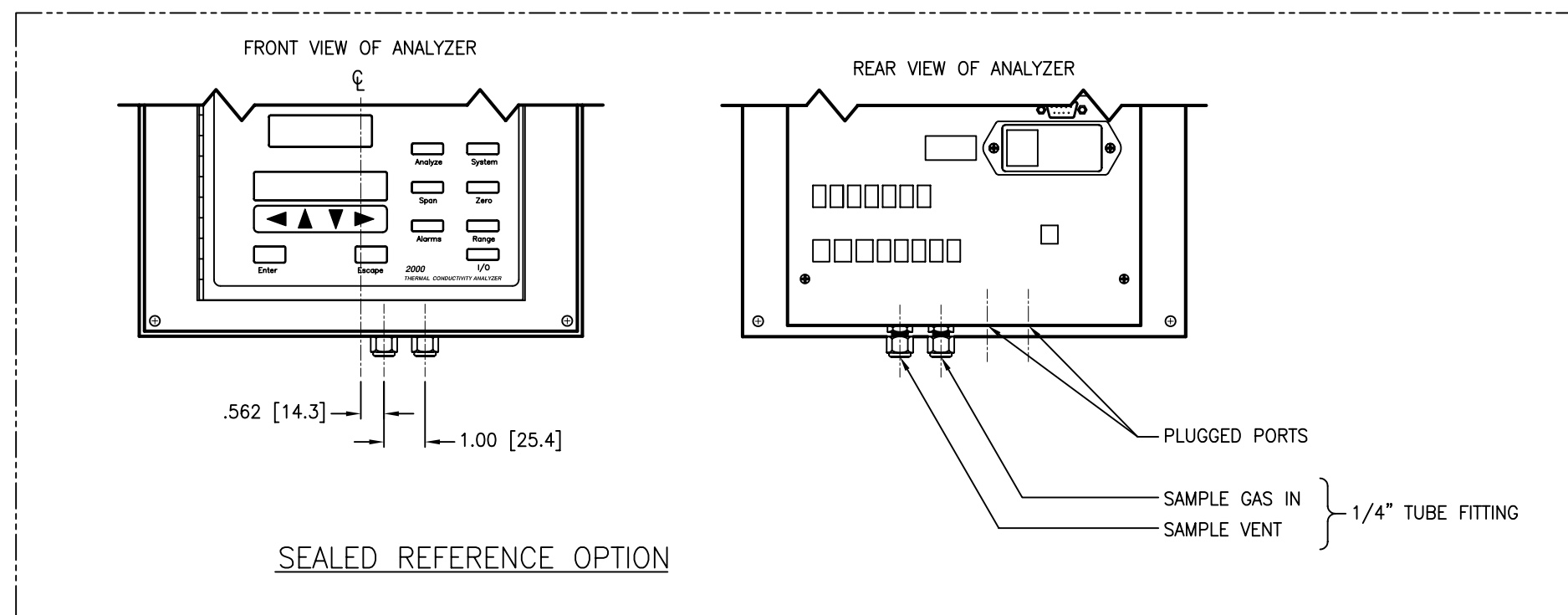
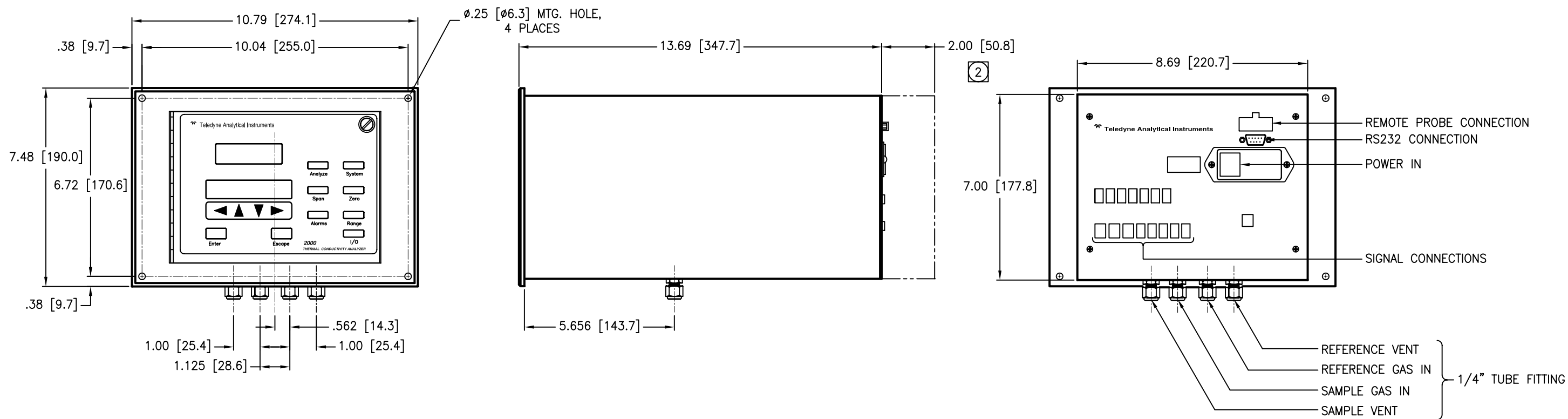
NOTES: UNLESS OTHERWISE SPECIFIED.

1. ALL DIMENSIONS ARE INCHES (±.06) AND MILLIMETERS (±1.), INCHES[mm]

2. LEAVE APPROX. 2" OF CLEARANCE FOR ELECTRICAL CONNECTIONS.

3. PANEL CUT-OUT REQUIRED: 7.06[179.] H. x 8.75[222.] W.

REVISIONS				
REV	DESCRIPTION	DATE	APP.	REV BY
0	INITIAL RELEASE			



ITEM	QTY	PART NO.	DESCRIPTION
BILL OF MATERIAL			
DO NOT SCALE DWG			
TOLERANCE UNLESS OTHERWISE SPECIFIED: ANGULAR ±1/2°			
LINEAR .XX = ±.1			
.XXX = ±.02			
.XXXX = ±.010			
SIGNATURES		DATE	TITLE
N/	DRFT: JOHN REYES	08/07/02	MODEL 2000 T/C ANALYZER OUTLINE DIAGRAM
V/	CHK:		
O/	APPR:		
P/	ENGR:		
F/	S.O.		
REFERENCE	CAD ID DSK8702		
MATERIAL: NONE			DWG NO. D-SK8702
SCALE: 1:2			REV: 0
SHEET: 1 OF 1			