

DA SERIES

BILL OF MATERIAL	
ITEM	PART NAME
1	COMPLETE WINDOW UPPERWORKS
1A	CAP NUT
1B	LOCK WASHER
1C	WINDOW HANDLE
1D	WINDOW HANDLE BASE
2	STANDARD HANDLE UPPERWORKS
2A	HANDLE CENTER
2B	NUT
2C	STANDARD HANDLE
3	AIR ACTUATOR
4	BUTTON
5	DIAPHRAGMS
6	BODY

HANDLE KITS			
WINDOW HANDLE			
CONTAINS: WINDOW HANDLE(1C), HANDLE BASE(1D), LOCK WASHER(1B), CAP NUT (1A) & INSTRUCTION CARD			
SS-5K-DH-BK	BLACK	SS-5K-DH-BL	BLUE
SS-5K-DH-BL	BLUE	SS-5K-DH-GD	GOLD
SS-5K-DH-GR	GREEN	SS-5K-DH-OR	ORANGE
SS-5K-DH-GR	GREEN	SS-5K-DH-PN	PINK
SS-5K-DH-PR	PURPLE	SS-5K-DH-RD	RED
SS-5K-DH-PR	PURPLE	SS-5K-DH-WH	WHITE
SS-5K-DH-YW	YELLOW		

WINDOW HANDLE			
CONTAINS: WINDOW HANDLE(1C), LOCK WASHER(1B) & CAP NUT (1A)			
SS-5EK-DH-BK	BLACK	SS-5EK-DH-BL	BLUE
SS-5EK-DH-BL	BLUE	SS-5EK-DH-GD	GOLD
SS-5EK-DH-GR	GREEN	SS-5EK-DH-OR	ORANGE
SS-5EK-DH-GR	GREEN	SS-5EK-DH-PN	PINK
SS-5EK-DH-PR	PURPLE	SS-5EK-DH-RD	RED
SS-5EK-DH-PR	PURPLE	SS-5EK-DH-WH	WHITE
SS-5EK-DH-YW	YELLOW		

STANDARD HANDLE	
CONTAINS: STANDARD HANDLE(2C), HANDLE CENTER (2A) AND NUT(2B)	
NY-5K-DH	ONLY AVAILABLE IN GREEN

UPPERWORKS KITS

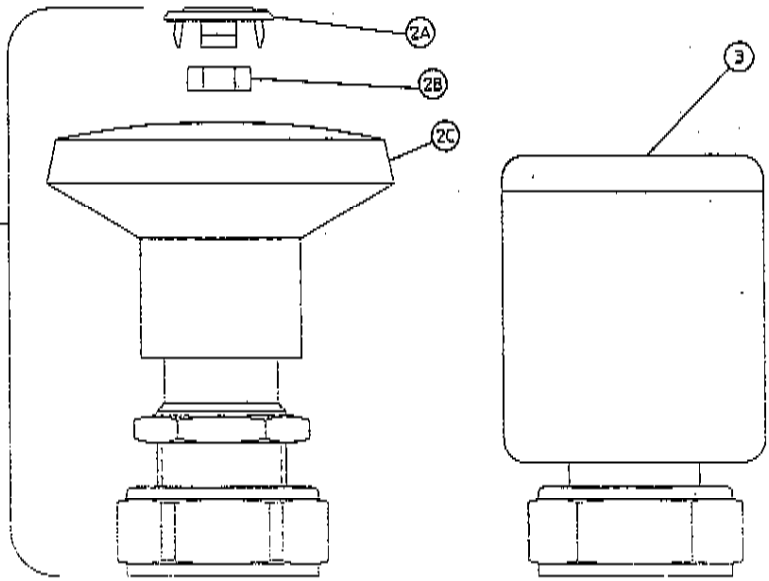
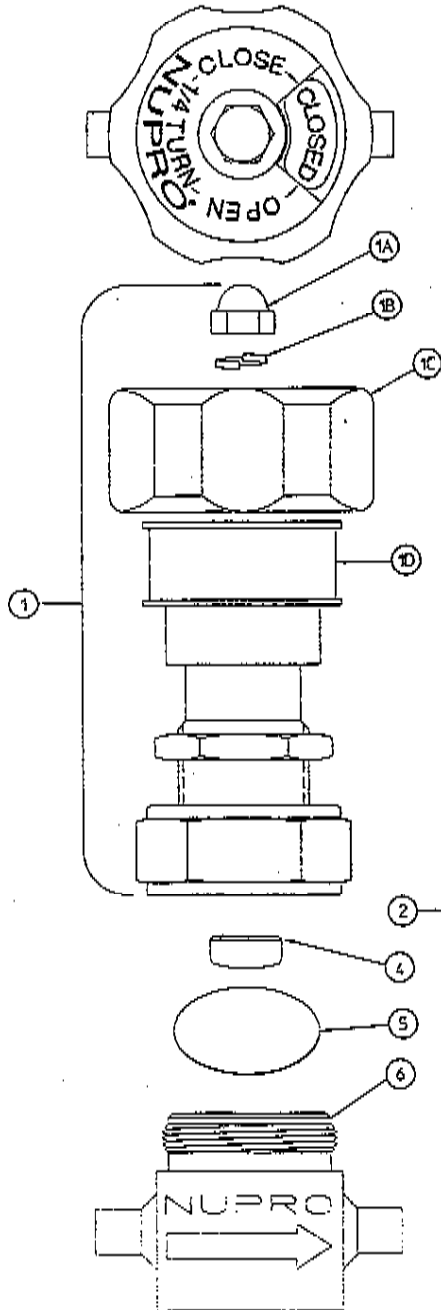
WINDOW HANDLE UPPERWORKS KIT			
CONTAINS: COMPLETE UPPERWORKS WITH WINDOW HANDLE (1) & INSTRUCTION CARD			
SS-DA-K1-BK	BLACK	SS-DA-K1-BL	BLUE
SS-DA-K1-BL	BLUE	SS-DA-K1-GD	GOLD
SS-DA-K1-GR	GREEN	SS-DA-K1-OR	ORANGE
SS-DA-K1-GR	GREEN	SS-DA-K1-PN	PINK
SS-DA-K1-PR	PURPLE	SS-DA-K1-RD	RED
SS-DA-K1-PR	PURPLE	SS-DA-K1-WH	WHITE
SS-DA-K1-YW	YELLOW		

STANDARD HANDLE UPPERWORKS KIT	
CONTAINS: COMPLETE UPPERWORKS WITH STANDARD HANDLE (2) & INSTRUCTION CARD	
NY-DA-K1	ONLY AVAILABLE IN GREEN

AIR ACTUATED UPPERWORKS KIT	
CONTAINS: COMPLETE UPPERWORKS (3) & INSTRUCTION CARD	
A-DA-K1-C	NORMALLY CLOSED UPPERWORKS
A-DA-K1-O	NORMALLY OPEN UPPERWORKS

SEAL KIT

CONTAINS: 2 DIAPHRAGMS (5) & INSTRUCTION CARD	
E-3DK-DA	
* DENOTES REGIONAL ITEM. REFER TO PRICE LIST	



PART NUMBER MANUAL