

# WOB-L® PISTON

Compressors and Vacuum Pumps

## 607/627 Series

### MODELS:

Standard models available.

**607CA22, 607CA32, 607CD22, 607CD32  
627CE44, 627CGHI44**

Other models based on availability and minimum purchase.

### FEATURES:

- Oil-less, non-lube piston and cylinder
- Permanently lubricated bearings
- Stainless steel valves
- Lightweight diecast aluminum components
- Long-life, high performance piston seal
- Thin wall, hard coated aluminum cylinder for maximum heat transfer
- Low noise design
- Balanced for smooth, low vibration operation
- Intake filter
- Six foot cord and plug assembly
- Field service capability
- CE approval on all standard 220-240/50hz models  
(Consult factory for non-standard models)

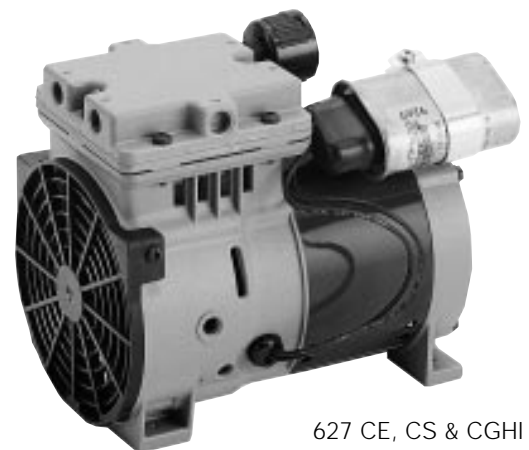
Consult factory for custom applications

### DIMENSIONS:

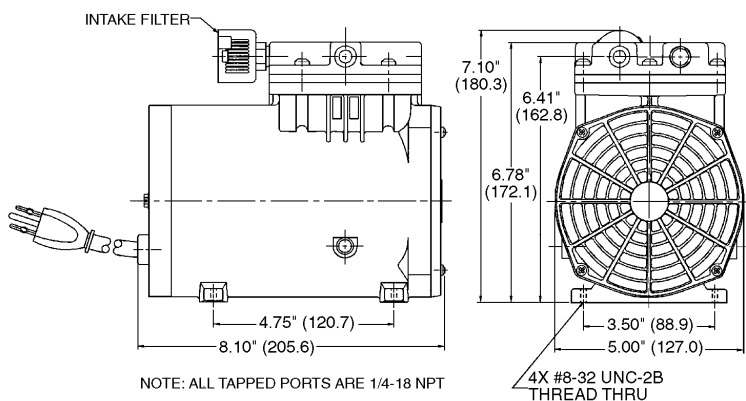
Millimeters are in ( )



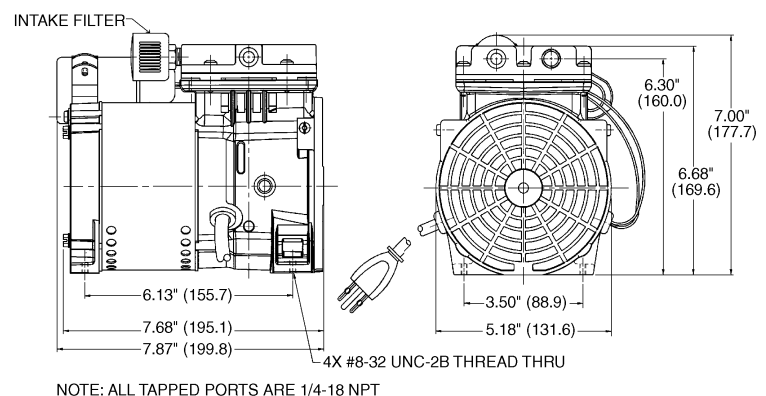
607 CA & CD



627 CE, CS & CGHI



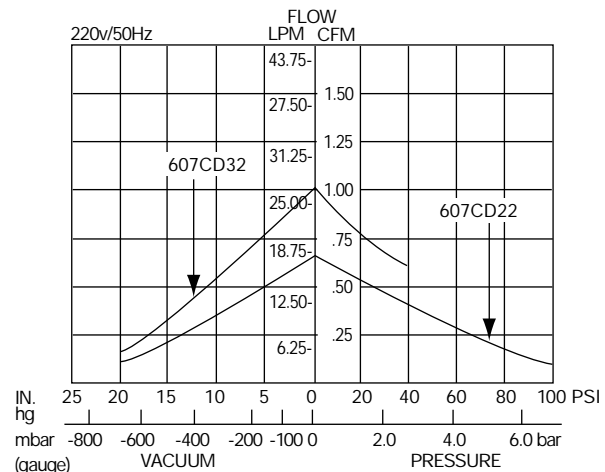
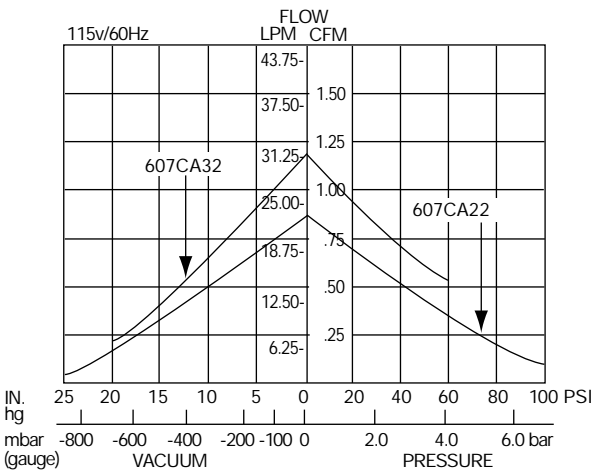
607 CA & CD



627 CE, CS & CGHI

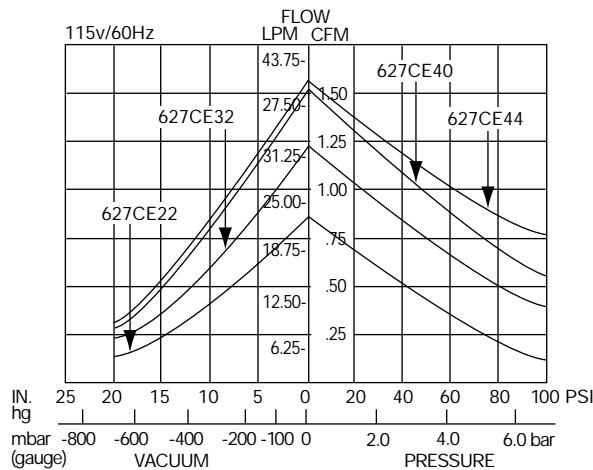
# 607 SERIES PERFORMANCE DATA:

|  | STANDARD           |           | STANDARD        |           | STANDARD        |           | STANDARD        |           |
|--|--------------------|-----------|-----------------|-----------|-----------------|-----------|-----------------|-----------|
| MODEL NUMBER:                                | 607CA22            |           | 607CA32         |           | 607CD22         |           | 607CD32         |           |
| HEAD CONFIGURATION:                          | Pressure/Vacuum    |           | Pressure/Vacuum |           | Pressure/Vacuum |           | Pressure/Vacuum |           |
| STROKE:                                      | .220 Inches        |           | .320 Inches     |           | .220 Inches     |           | .320 Inches     |           |
| PRESSURE:                                    | Flow @ 115v        |           | Flow @ 115v     |           | Flow @ 220v     |           | Flow @ 220v     |           |
| CFM @ PSI                                    | LPM @ bar          |           |                 |           |                 |           |                 |           |
| PSI  | bar                |           | CFM             | LPM       | CFM             | LPM       | CFM             | LPM       |
| 0  | 0                  |           | .78             | 22.1      | 1.22            | 34.5      | .69             | 19.5      |
| 10   | .5                 |           | .69             | 20.2      | 1.10            | 32.1      | .59             | 17.5      |
| 20   | 1.0                |           | .59             | 18.3      | .97             | 29.5      | .50             | 15.6      |
| 30   | 1.5                |           | .51             | 16.3      | .85             | 26.9      | .42             | 13.8      |
| 40   | 2.0                |           | .42             | 14.7      | .74             | 24.4      | .35             | 12.1      |
| 50   | 3.0                |           | .37             | 11.4      | .66             | 20.2      | .30             | 9.4       |
| 60   | 5.0                |           | .31             | 6.6       | .56             |           | .25             | 5.4       |
| 70   | 7.0                |           | .25             | 1.7       |                 |           | .20             | 2.7       |
| 80   |                    |           | .18             |           |                 |           | .17             |           |
| 90   |                    |           | .13             |           |                 |           | .14             |           |
| 100  |                    |           | .07             |           |                 |           | .10             |           |
| <b>MAX. CONTINUOUS PRESSURE:</b>             | 100 PSI            | 6.9 bar   | 50 PSI          | 3.4 bar   | 100 PSI         | 6.9 bar   | 40 PSI          | 2.8 bar   |
| <b>MAX. INTERMITTENT PRESSURE:</b>           | 100 PSI            | 6.9 bar   | 60 PSI          | 4.2 bar   | 100 PSI         | 6.9 bar   | 40 PSI          | 2.8 bar   |
| VACUUM:                                      | Flow @ 115v        |           | Flow @ 115v     |           | Flow @ 220v     |           | Flow @ 220v     |           |
| CFM @ IN. hg                                 | LPM @ mbar (gauge) |           |                 |           |                 |           |                 |           |
| IN. hg                                       | mbar (gauge)       |           | CFM             | LPM       | CFM             | LPM       | CFM             | LPM       |
| 0  | 0                  |           | .78             | 22.1      | 1.22            | 34.5      | .69             | 19.5      |
| 5  | -100               |           | .63             | 19.6      | .87             | 28.7      | .53             | 16.9      |
| 10   | -200               |           | .47             | 17.0      | .65             | 23.5      | .40             | 14.3      |
| 15   | -400               |           | .31             | 11.7      | .45             | 16.4      | .26             | 9.9       |
| 20   | -600               |           | .16             | 6.5       | .23             | 9.4       | .14             | 5.5       |
| 25   | -800               |           | .02             | 1.7       |                 |           |                 |           |
| <b>MAX. VACUUM:</b>                          | 25.6" hg           | -864 mbar | 26.8" hg        | -907 mbar | 26.1" hg        | -884 mbar | 26.2" hg        | -887 mbar |
| <b>MAX. AMBIENT TEMPERATURE:</b>             | 104°F              | 40°C      | 104°F           | 40°C      | 104°F           | 40°C      | 104°F           | 40°C      |
| <b>MIN. AMBIENT TEMPERATURE:</b>             | 50°F               | 10°C      | 50°F            | 10°C      | 50°F            | 10°C      | 50°F            | 10°C      |
| <b>MAX. RESTART PRESSURE:</b>                | 0 PSI              | 0 bar     | 0 PSI           | 0 bar     | 0 PSI           | 0 bar     | 0 PSI           | 0 bar     |
| <b>MAX. RESTART VACUUM:</b>                  | 0" hg              | 0 mbar    | 0" hg           | 0 mbar    | 0" hg           | 0 mbar    | 0" hg           | 0 mbar    |
| <b>MOTOR VOLTAGE/FREQUENCY:</b>              | 115/60/1           |           | 115/60/1        |           | 220/50/1        |           | 220/50/1        |           |
| <b>HORSEPOWER:</b>                           | 1/8                |           | 1/7             |           | 1/8             |           | 1/7             |           |
| <b>MOTOR TYPE:</b>                           | Shaded Pole        |           | Shaded Pole     |           | Shaded Pole     |           | Shaded Pole     |           |
| <b>CURRENT AT RATED LOAD (AMPS):</b>         | 3.1                |           | 4.6             |           | 1.3             |           | 1.9             |           |
| <b>POWER AT RATED LOAD (WATTS):</b>          | 189                |           | 285             |           | 174             |           | 225             |           |
| <b>STARTING CURRENT (LOCKED ROTOR AMPS):</b> | 5.5                |           | 6.4             |           | 2.1             |           | 2.5             |           |
| <b>INSULATION CLASS:</b>                     | B                  |           | B               |           | B               |           | B               |           |
| <b>MIN. FULL LOAD SPEED (RPM):</b>           | 1540               |           | 1400            |           | 1105            |           | 1150            |           |
| <b>THERMAL PROTECTOR:</b>                    | Yes                |           | Yes             |           | Yes             |           | Yes             |           |
| <b>NET WEIGHT:</b>                           | 11 lbs.            | 5 Kg      | 11 lbs.         | 5 Kg      | 11 lbs.         | 5 Kg      | 11 lbs.         | 5 Kg      |



# 627 SERIES PERFORMANCE DATA:

|  |                    |                           |           |                           |           |                           |           |                           |           | STANDARD |     |
|--|--------------------|---------------------------|-----------|---------------------------|-----------|---------------------------|-----------|---------------------------|-----------|----------|-----|
| MODEL NUMBER:                                |                    | 627CE22                   |           | 627CE32                   |           | 627CE40                   |           | 627CE44                   |           |          |     |
| HEAD CONFIGURATION:                          |                    | Pressure/Vacuum           |           | Pressure/Vacuum           |           | Pressure/Vacuum           |           | Pressure/Vacuum           |           |          |     |
| STROKE:                                      |                    | .220 Inches               |           | .320 Inches               |           | .400 Inches               |           | .440 Inches               |           |          |     |
| PRESSURE:                                    |                    | Flow @ 115v               |           | Flow @ 115v               |           | Flow @ 115v               |           | Flow @ 115v               |           |          |     |
| CFM @ PSI                                    | LPM @ bar          |                           |           |                           |           |                           |           |                           |           |          |     |
| PSI  | bar                | CFM                       | LPM       | CFM                       | LPM       | CFM                       | LPM       | CFM                       | LPM       | CFM      | LPM |
| 0  | 0                  | .84                       | 23.8      | 1.22                      | 34.5      | 1.52                      | 43.0      | 1.60                      | 45.3      |          |     |
| 10   | .5                 | .74                       | 21.7      | 1.08                      | 31.7      | 1.45                      | 41.6      | 1.48                      | 42.8      |          |     |
| 20   | 1.0                | .66                       | 19.9      | 1.00                      | 29.6      | 1.35                      | 39.8      | 1.37                      | 40.5      |          |     |
| 30   | 1.5                | .56                       | 18.2      | .90                       | 27.8      | 1.25                      | 37.7      | 1.29                      | 38.4      |          |     |
| 40   | 2.0                | .48                       | 16.1      | .80                       | 25.8      | 1.15                      | 35.7      | 1.21                      | 36.8      |          |     |
| 50   | 3.0                | .40                       | 12.8      | .70                       | 21.7      | 1.01                      | 31.2      | 1.13                      | 33.5      |          |     |
| 60   | 5.0                | .33                       | 7.2       | .60                       | 15.1      | .92                       | 22.9      | 1.05                      | 27.3      |          |     |
| 70   | 7.0                | .27                       | 3.2       | .55                       | 9.9       | .83                       | 15.5      | .98                       | 21.1      |          |     |
| 80   |                    | .21                       |           | .48                       |           | .74                       |           | .91                       |           |          |     |
| 90   |                    | .16                       |           | .42                       |           | .65                       |           | .84                       |           |          |     |
| 100  |                    | .12                       |           | .36                       |           | .56                       |           | .76                       |           |          |     |
| <b>MAX. CONTINUOUS PRESSURE:</b>             |                    | 100 PSI                   | 6.9 bar   | 100 PSI                   | 6.9 bar   | 100 PSI                   | 6.9 bar   | 100 PSI                   | 6.9 bar   |          |     |
| <b>MAX. INTERMITTENT PRESSURE:</b>           |                    | 100 PSI                   | 6.9 bar   | 100 PSI                   | 6.9 bar   | 100 PSI                   | 6.9 bar   | 100 PSI                   | 6.9 bar   |          |     |
| VACUUM:                                      |                    | Flow @ 115v               |           | Flow @ 115v               |           | Flow @ 115v               |           | Flow @ 115v               |           |          |     |
| CFM @ IN. hg                                 | LPM @ mbar (gauge) |                           |           |                           |           |                           |           |                           |           |          |     |
| IN. hg                                       | mbar (gauge)       | CFM                       | LPM       | CFM                       | LPM       | CFM                       | LPM       | CFM                       | LPM       | CFM      | LPM |
| 0  | 0                  | .84                       | 23.8      | 1.22                      | 34.5      | 1.52                      | 43.0      | 1.60                      | 45.3      |          |     |
| 5  | -100               | .62                       | 20.1      | .87                       | 28.7      | 1.04                      | 35.0      | 1.15                      | 37.8      |          |     |
| 10   | -200               | .47                       | 16.8      | .65                       | 23.5      | .82                       | 28.3      | .90                       | 31.3      |          |     |
| 15   | -400               | .30                       | 11.6      | .45                       | 16.4      | .57                       | 20.7      | .62                       | 22.6      |          |     |
| 20   | -600               | .14                       | 6.0       | .24                       | 9.5       | .30                       | 12.0      | .33                       | 13.1      |          |     |
| <b>MAX. VACUUM:</b>                          |                    | 26.0" hg                  | -880 mbar | 26.9" hg                  | -911 mbar | 27.3" hg                  | -924 mbar | 27.6" hg                  | -935 mbar |          |     |
| <b>MAX. AMBIENT TEMPERATURE:</b>             |                    | 104°F                     | 40°C      | 104°F                     | 40°C      | 104°F                     | 40°C      | 104°F                     | 40°C      |          |     |
| <b>MIN. AMBIENT TEMPERATURE:</b>             |                    | 50°F                      | 10°C      | 50°F                      | 10°C      | 50°F                      | 10°C      | 50°F                      | 10°C      |          |     |
| <b>MAX. RESTART PRESSURE:</b>                |                    | 0 PSI                     | 0 bar     | 0 PSI                     | 0 bar     | 0 PSI                     | 0 bar     | 0 PSI                     | 0 bar     |          |     |
| <b>MAX. RESTART VACUUM:</b>                  |                    | 0" hg                     | 0 mbar    | 0" hg                     | 0 mbar    | 0" hg                     | 0 mbar    | 0" hg                     | 0 mbar    |          |     |
| <b>MOTOR VOLTAGE/FREQUENCY:</b>              |                    | 115/60/1                  |           | 115/60/1                  |           | 115/60/1                  |           | 115/60/1                  |           |          |     |
| <b>HORSEPOWER:</b>                           |                    | 1/3                       |           | 1/3                       |           | 1/3                       |           | 1/3                       |           |          |     |
| <b>MOTOR TYPE:</b>                           |                    | Permanent Split Capacitor |           | Permanent Split Capacitor |           | Permanent Split Capacitor |           | Permanent Split Capacitor |           |          |     |
| <b>CURRENT AT RATED LOAD (AMPS):</b>         |                    | 3.1                       |           | 3.2                       |           | 3.4                       |           | 3.6                       |           |          |     |
| <b>POWER AT RATED LOAD (WATTS):</b>          |                    | 240                       |           | 245                       |           | 285                       |           | 325                       |           |          |     |
| <b>STARTING CURRENT (LOCKED ROTOR AMPS):</b> |                    | 9.2                       |           | 9.2                       |           | 9.2                       |           | 9.2                       |           |          |     |
| <b>INSULATION CLASS:</b>                     |                    | B                         |           | B                         |           | B                         |           | B                         |           |          |     |
| <b>MIN. FULL LOAD SPEED (RPM):</b>           |                    | 1750                      |           | 1720                      |           | 1660                      |           | 1650                      |           |          |     |
| <b>THERMAL PROTECTOR:</b>                    |                    | Yes                       |           | Yes                       |           | Yes                       |           | Yes                       |           |          |     |
| <b>CAPACITOR VALUE:</b>                      |                    | 8 mfd                     |           | 8 mfd                     |           | 8 mfd                     |           | 8 mfd                     |           |          |     |
| <b>NET WEIGHT:</b>                           |                    | 11.75 lbs.                | 5.3 Kg    | 11.75 lbs.                | 5.3 Kg    | 11.75 lbs.                | 5.3 Kg    | 11.75 lbs.                | 5.3 Kg    |          |     |

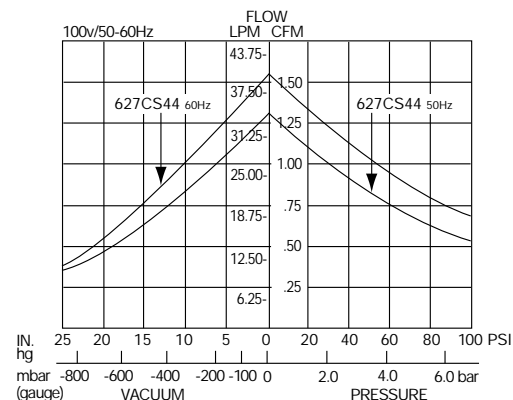
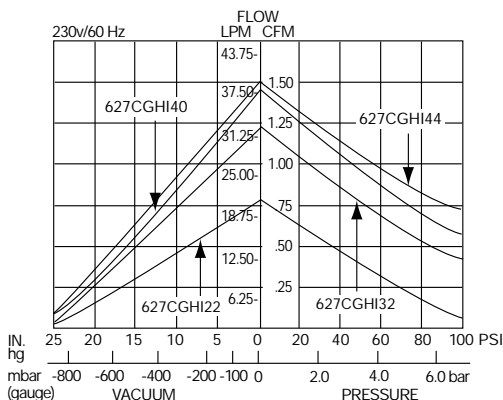
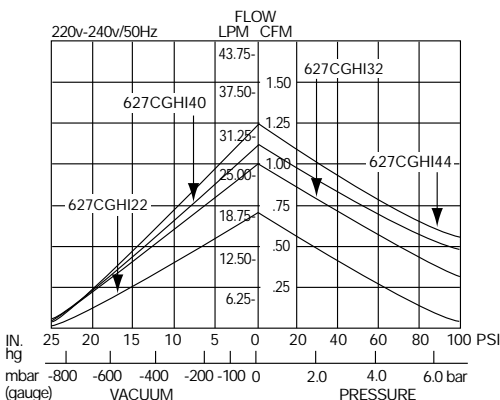


The information presented in this material is based on technical data and test results of nominal units. It is believed to be accurate and reliable and is offered as an aid to help in the selection of Thomas products. It is the responsibility of the user to determine the suitability of the product for his intended use and the user assumes all risk and liability whatsoever in connection therewith. Thomas Industries does not warrant, guarantee or assume any obligation or liability in connection with this information.

**Note:** Models pictured are representative of the series and do not represent a specific model number. Consult factory for detailed physical description.

# 627 SERIES PERFORMANCE DATA:

|                                       |                             | STANDARD  |                             |           |                             |           |                             |           |                           |           |           |           |
|---------------------------------------|-----------------------------|-----------|-----------------------------|-----------|-----------------------------|-----------|-----------------------------|-----------|---------------------------|-----------|-----------|-----------|
| MODEL NUMBER:                         | 627CGHI22                   | 627CGHI32 |                             | 627CGHI40 |                             | 627CGHI44 |                             | 627CS44   |                           |           |           |           |
| HEAD CONFIGURATION:                   | Pressure/Vacuum             |           | Pressure/Vacuum             |           | Pressure/Vacuum             |           | Pressure/Vacuum             |           | Pressure/Vacuum           |           |           |           |
| STROKE:                               | .220 Inches                 |           | .320 Inches                 |           | .400 Inches                 |           | .440 Inches                 |           | .440 Inches               |           |           |           |
| PRESSURE:                             | Flow @ 220v/50 - 230v/60 Hz |           | Flow @ 220v/50 - 230v/60 Hz |           | Flow @ 220v/50 - 230v/60 Hz |           | Flow @ 220v/50 - 230v/60 Hz |           | Flow @ 100v/50-60 Hz      |           |           |           |
| CFM @ PSI                             | LPM @ bar                   |           |                             |           |                             |           |                             |           |                           |           |           |           |
| PSI                                   | bar                         | CFM       | LPM                         | CFM       | LPM                         | CFM       | LPM                         | CFM       | LPM                       | CFM       | LPM       |           |
| 0                                     | 0                           | .68/.80   | 19.3/22.7                   | 1.00/1.23 | 28.3/34.8                   | 1.19/1.40 | 33.7/39.6                   | 1.27/1.50 | 35.9/42.4                 | 1.30/1.55 | 36.8/43.9 |           |
| 10                                    | .5                          | .62/.74   | 18.0/21.4                   | .92/1.13  | 26.7/32.8                   | 1.13/1.33 | 32.5/38.2                   | 1.22/1.43 | 34.9/41.0                 | 1.25/1.50 | 35.7/42.8 |           |
| 20                                    | 1.0                         | .54/.62   | 16.5/19.4                   | .84/.97   | 25.0/30.0                   | 1.07/1.24 | 31.2/36.5                   | 1.14/1.33 | 33.5/39.2                 | 1.16/1.41 | 34.1/41.2 |           |
| 30                                    | 1.5                         | .45/.56   | 14.8/17.3                   | .75/.90   | 23.3/27.1                   | .98/1.15  | 29.9/34.7                   | 1.09/1.22 | 32.0/37.1                 | 1.08/1.28 | 32.4/39.2 |           |
| 40                                    | 2.0                         | .39/.48   | 13.0/16.0                   | .67/.83   | 21.5/25.7                   | .89/1.06  | 28.0/32.8                   | .94/1.17  | 31.0/34.8                 | .99/1.18  | 30.8/36.6 |           |
| 50                                    | 3.0                         | .34/.41   | 10.5/12.9                   | .60/.72   | 18.3/22.4                   | .83/.96   | 24.6/29.0                   | .86/1.04  | 25.8/31.8                 | .88/1.10  | 27.0/32.6 |           |
| 60                                    | 5.0                         | .27/.34   | 6.4/7.5                     | .54/.66   | 13.2/16.3                   | .72/.89   | 18.0/22.0                   | .82/1.00  | 21.3/26.5                 | .79/1.03  | 20.2/25.9 |           |
| 70                                    | 7.0                         | .24/.28   | 2.4/2.9                     | .48/.59   | 8.8/11.6                    | .65/.80   | 13.3/16.4                   | .77/.96   | 16.1/20.6                 | .73/.94   | 14.7/19.2 |           |
| 80                                    |                             | .19/.22   |                             | .42/.54   |                             | .59/.74   |                             | .70/.87   |                           | .66/.84   |           |           |
| 90                                    |                             | .12/.17   |                             | .37/.49   |                             | .54/.65   |                             | .64/.80   |                           | .59/.76   |           |           |
| 100                                   |                             | .09/.11   |                             | .32/.42   |                             | .48/.59   |                             | .58/.74   |                           | .53/.69   |           |           |
| MAX. CONTINUOUS PRESSURE:             | 100 PSI                     | 6.9 bar   | 100 PSI                     | 6.9 bar   | 100 PSI                     | 6.9 bar   | 100 PSI                     | 6.9 bar   | 100 PSI                   | 6.9 bar   | 100 PSI   | 6.9 bar   |
| MAX. INTERMITTENT PRESSURE:           | 100 PSI                     | 6.9 bar   | 100 PSI                     | 6.9 bar   | 100 PSI                     | 6.9 bar   | 100 PSI                     | 6.9 bar   | 100 PSI                   | 6.9 bar   | 100 PSI   | 6.9 bar   |
| VACUUM:                               | Flow @ 220v/50 - 230v/60 Hz |           | Flow @ 220v/50 - 230v/60 Hz |           | Flow @ 220v/50 - 230v/60 Hz |           | Flow @ 220v/50 - 230v/60 Hz |           | Flow @ 100v/50-60 Hz      |           |           |           |
| CFM @ IN. hg                          | LPM @ mbar (gauge)          |           |                             |           |                             |           |                             |           |                           |           |           |           |
| IN. hg                                | mbar (gauge)                | CFM       | LPM                         | CFM       | LPM                         | CFM       | LPM                         | CFM       | LPM                       | CFM       | LPM       |           |
| 0                                     | 0                           | .68/.80   | 19.3/22.7                   | 1.00/1.23 | 28.3/34.8                   | 1.19/1.40 | 33.7/39.6                   | 1.27/1.50 | 36.0/42.5                 | 1.30/1.55 | 36.8/43.9 |           |
| 5                                     | -100                        | .62/.74   | 18.3/21.6                   | .81/.96   | 25.1/30.3                   | 1.00/1.17 | 30.5/35.8                   | 1.22/1.43 | 35.1/41.3                 | 1.12/1.33 | 33.8/40.2 |           |
| 10                                    | -200                        | .38/.50   | 16.3/19.7                   | .61/.73   | 21.9/26.0                   | .76/.91   | 27.1/31.8                   | .81/.97   | 32.4/38.1                 | .85/1.04  | 30.3/36.2 |           |
| 15                                    | -400                        | .26/.33   | 9.5/12.4                    | .42/.48   | 15.3/18.1                   | .51/.61   | 19.0/22.7                   | .55/.67   | 20.3/24.4                 | .61/.73   | 21.6/26.3 |           |
| 20                                    | -600                        | .13/.16   | 5.4/6.7                     | .23/.27   | 9.0/10.4                    | .30/.33   | 11.2/13.0                   | .32/.38   | 12.0/14.5                 | .35/.39   | 13.3/15.4 |           |
| 25                                    | -800                        | .02/.03   | 1.4/1.9                     | .07/.07   | 3.2/3.5                     | .10/.11   | 4.4/4.8                     | .09/.11   | 4.3/5.2                   |           | 4.6/4.1   |           |
| MAX. VACUUM:                          | 26.0" hg                    | -880 mbar | 27.0" hg                    | -914 mbar | 27.5" hg                    | -931 mbar | 27.5" hg                    | -931 mbar | 27.5" hg                  | -931 mbar | 27.5" hg  | -931 mbar |
| MAX. AMBIENT TEMPERATURE:             | 104°F                       | 40°C      | 104°F                       | 40°C      | 104°F                       | 40°C      | 104°F                       | 40°C      | 104°F                     | 40°C      | 104°F     | 40°C      |
| MIN. AMBIENT TEMPERATURE:             | 50°F                        | 10°C      | 50°F                        | 10°C      | 50°F                        | 10°C      | 50°F                        | 10°C      | 50°F                      | 10°C      | 50°F      | 10°C      |
| MAX. RESTART PRESSURE:                | 0 PSI                       | 0 bar     | 0 PSI                       | 0 bar     | 0 PSI                       | 0 bar     | 0 PSI                       | 0 bar     | 0 PSI                     | 0 bar     | 0 PSI     | 0 bar     |
| MAX. RESTART VACUUM:                  | 0" hg                       | 0 mbar    | 0" hg                       | 0 mbar    | 0" hg                       | 0 mbar    | 0" hg                       | 0 mbar    | 0" hg                     | 0 mbar    | 0" hg     | 0 mbar    |
| MOTOR VOLTAGE/FREQUENCY:              | 220-240/50/1 - 230/60/1     |           | 220-240/50/1 - 230/60/1     |           | 220-240/50/1 - 230/60/1     |           | 220-240/50/1 - 230/60/1     |           | 100/50-60/1               |           |           |           |
| HORSEPOWER:                           | 1/3                         |           | 1/3                         |           | 1/3                         |           | 1/3                         |           | 1/3                       |           |           |           |
| MOTOR TYPE:                           | Permanent Split Capacitor   |           | Permanent Split Capacitor   |           | Permanent Split Capacitor   |           | Permanent Split Capacitor   |           | Permanent Split Capacitor |           |           |           |
| CURRENT AT RATED LOAD (AMPS):         | .7/1.9                      |           | 1.5/1.3                     |           | 1.5/1.3                     |           | 1.5/1.3                     |           | 4.7/3.2                   |           |           |           |
| POWER AT RATED LOAD (WATTS):          | 120/160                     |           | 200/200                     |           | 240/240                     |           | 270/270                     |           | 300/255                   |           |           |           |
| STARTING CURRENT (LOCKED ROTOR AMPS): | 3.9/3.8                     |           | 3.9/3.8                     |           | 3.9/3.8                     |           | 3.9/3.8                     |           | 12.0/11.0                 |           |           |           |
| INSULATION CLASS:                     | B                           |           | B                           |           | B                           |           | B                           |           | B                         |           |           |           |
| MIN. FULL LOAD SPEED (RPM):           | 1460/1760                   |           | 1420/1700                   |           | 1400/1700                   |           | 1400/1700                   |           | 1380/1720                 |           |           |           |
| THERMAL PROTECTOR:                    | Yes                         |           | Yes                         |           | Yes                         |           | Yes                         |           | Yes                       |           |           |           |
| CAPACITOR VALUE:                      | 8 mfd                       |           | 8 mfd                       |           | 8 mfd                       |           | 8 mfd                       |           | 8 mfd                     |           |           |           |
| NET WEIGHT:                           | 13.0 lbs.                   | 5.9 Kg    | 13.0 lbs.                   | 5.9 Kg    | 13.75 lbs.                  | 6.2 Kg    | 14.5 lbs.                   | 6.6 Kg    | 14.5 lbs.                 | 6.6 Kg    |           |           |



**THOMAS**  
COMPRESSORS  
& VACUUM PUMPS

1419 Illinois Avenue, P.O. Box 29  
Sheboygan, WI 53082-0029 USA  
(920) 457-4891 Fax (920) 451-4276  
Internet: <http://www.thomaspumps.com>